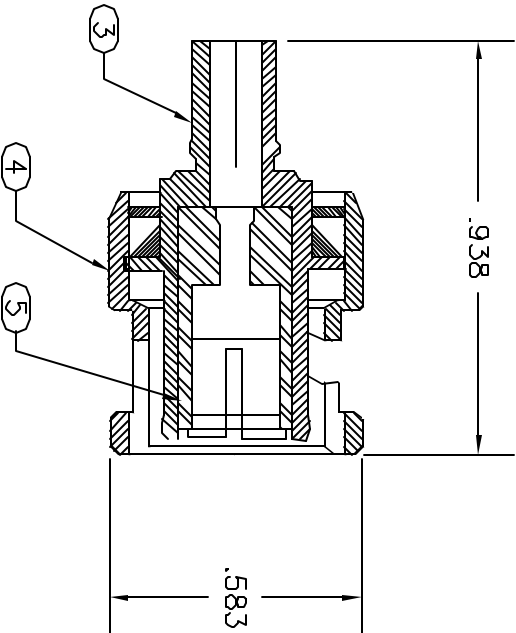
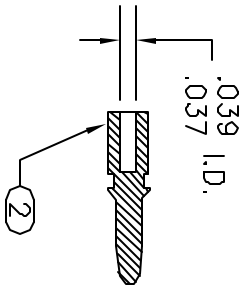
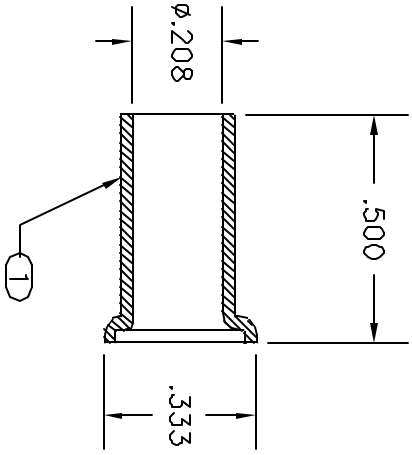


REVISIONS		DDC. NO. SPC-FD05, Total Pages: 2					
DWG #	REV	DESCRIPTION	DATE	CHECKED	DATE	APPRVD	DATE
366	A	Released	12/17/98	J.W.M.	1/8/99	D.J.C.	1/12/99



Item	Qty	Description	Material	Finish
1	1	Ferrule	Brass	Bright Nickel
2	1	Contact	Brass	Nickel\Gold
3	1	Body	Zinc	Nickel
4	1	Nut	Zinc	Nickel
5	1	Insulator	TPX	White

DISCLAIMER:
ALL STATEMENTS AND TECHNICAL INFORMATION CONTAINED HEREIN ARE BASED UPON INFORMATION AND/OR TESTS WE BELIEVE TO BE ACCURATE AND RELIABLE. SINCE CONDITIONS OF USE ARE BEYOND OUR CONTROL, THE USER SHALL DETERMINE THE SUITABILITY OF THE PRODUCT FOR THE INTENDED USE AND ASSUME ALL RISK AND LIABILITY WHATSOEVER IN CONNECTION THEREWITH.



SPC TECHNOLOGY

DRAWING TITLE:
BNC (75 ohm) Plug Crimp - Crimp

Tolerances Unless
Otherwise Specified:
.X=±.020
.XX=±.010
.XXX=±.005

DRAWN BY: Jeff Mcvicker
CHECKED BY: John Cole
APPROVED BY: Daniel Corey

DATE: 12/17/98
DATE: 1/8/99
DATE: 1/12/99

SIZE DWG. NO. 1584
SCALE: NTS
ELECTRONIC FILE 92N3408.dwg
SHEET: 1 OF 1