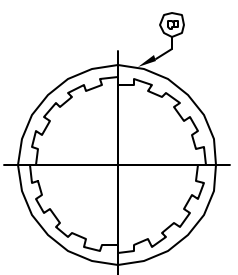
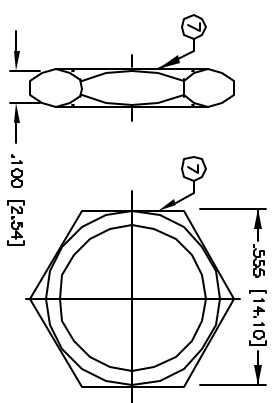
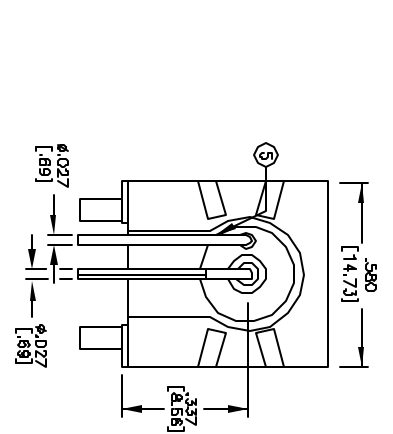
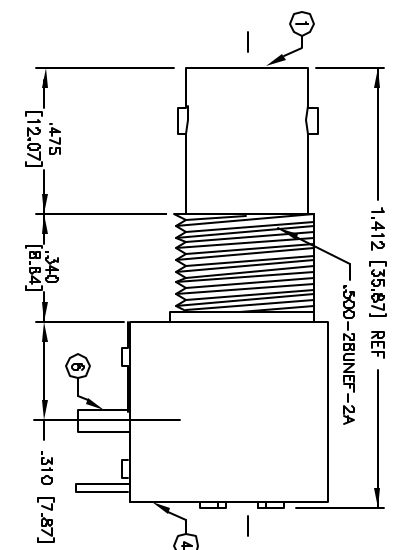
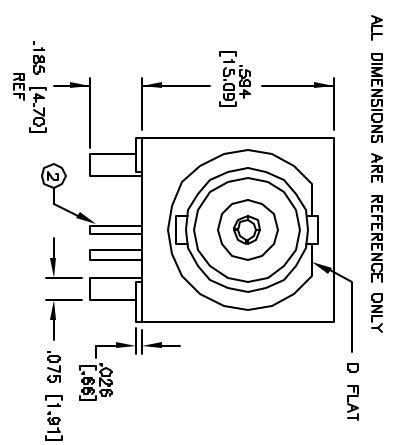


ALL RIGHTS RESERVED. NO PORTION OF THIS PUBLICATION, WHETHER IN WHOLE OR IN PART CAN BE REPRODUCED WITHOUT THE EXPRESS WRITTEN CONSENT OF SPC TECHNOLOGY.

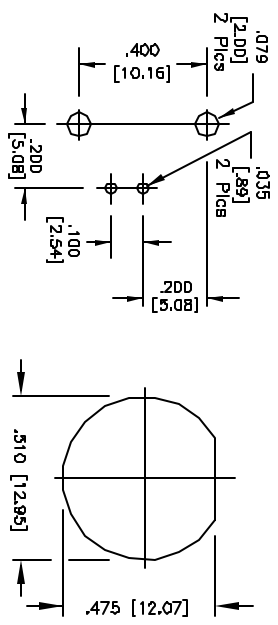
REVISIONS		DOC. NO.	SPC-FD05	Effective 12/21/98	DCP No.	680
DCP #	REV	DESCRIPTION	DRAWN	DATE	CHECKD	DATE
129	A	RELEASED	DJC	2/25/98	JC	7/15/98
987	B	Was two pages	JWM	6/15/01	JC	6/15/01



SPECIFICATIONS:

IMPEDANCE: 50 OHMS
 WORKING VOLTAGE: 500 VRMS @ SEA LEVEL
 FREQUENCY RANGE: 0-1 GHz
 * CONTACT GOLD PLATING AT BNC END - TIN/LEAD
 PLATING AT CIRCUIT BOARD END

ITEM	DESCRIPTION	QTY	MATERIAL	FINISH
8	LOCK WASHER [LKW-505]	1	PHOS BRONZE	NICKEL
7	NUT [HEX-500]	1	BRASS	NICKEL
6	MOUNTING POSTS	2	BRASS	NICKEL
5	GROUNDING TERMINAL	1	COPPER	TIN
4	HOUSING	1	PBT	WHITE
3	DIELECTRIC	1	POLYPROPYLENE	NONE
2	CONTACT	1	BRASS	*
1	BODY	1	ZINC	NICKEL



SUGGESTED MOUNTING CONFIGURATION

DISCLAIMER
 ALL DIMENSIONS AND TECHNICAL INFORMATION CONTAINED HEREIN ARE BASED UPON INFORMATION AND/OR TESTS WE BELIEVE TO BE ACCURATE AND RELIABLE. SOME CONDITIONS OF USE ARE NOT STATED. THE USER SHALL DETERMINE THE SUITABILITY OF THE PRODUCT FOR THE INTENDED USE AND ASSUME ALL RISK AND LIABILITY WHATSOEVER IN CONNECTION THEREWITH.

UNLESS OTHERWISE SPECIFIED, DIMENSIONS ARE FOR REFERENCE PURPOSES ONLY.

DRAWN BY:	DATE:
Daniel Carey	2/25/98
CHECKED BY:	DATE:
JOHN COLE	7/15/98
APPROVED BY:	DATE:
Jeff Molyckar	7/15/98

DRAWING TITLE:		BNC Female right Angle PCB Mount	
SIZE	DWG. NO.	ELECTRONIC FILE	REV
A	1552	92N3398.dwg	B
SCALE:	NTS	U.O.M.: INCHES [mm]	SHEET: 1 OF 1

