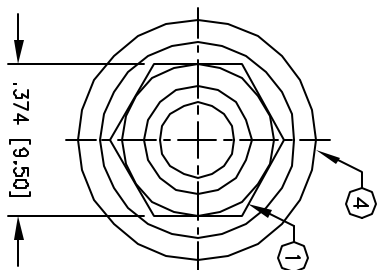
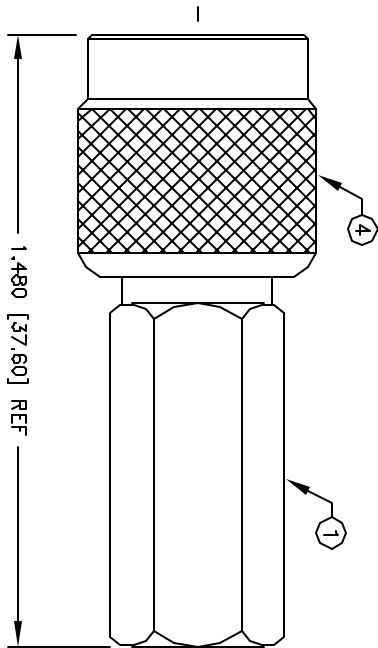


© COPYRIGHT 1998 BY SPC TECHNOLOGY. ALL RIGHTS RESERVED. NO PORTION OF THIS PUBLICATION, WHETHER IN WHOLE OR IN PART CAN BE REPRODUCED WITHOUT THE EXPRESS WRITTEN CONSENT OF SPC TECHNOLOGY.

REVISIONS			DOC. NO. SPC-F005, Total Pages: 2
DCP #	REV	DESCRIPTION	Effective: 7/15/97, DCP No: 229 Supercedes DCP No: 103
129	A	RELEASED	

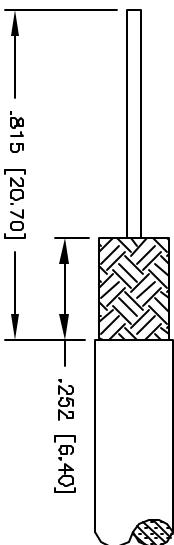


SCREW CONNECTOR ONTO CABLE IN A CLOCKWISE DIRECTION UNTIL IT STOPS

SPECIFICATIONS:

IMPEDANCE: 50 OHMS
 WORKING VOLTAGE: 500 VRMS @ SEA LEVEL
 FREQUENCY RANGE: 0-7 GHz
 FOR RG-58, 58A, 58C, 141, 141A, 400/U, BELDEN 8240, 8259, 8262, 9201, 9203, 9310, 9311,
 COMM/SCOPE 0268 & CUSHCRAFT ULTRALINK TL92Z463E

ITEM	DESCRIPTION	QTY	MATERIAL	FINISH
9	WASHER	1	BRASS	NICKEL
8	GASKET	1	S.I. RUBBER	RED
7	WASHER	1	DELRIN	NONE
6	RETAINING RING	1	BRASS	NICKEL
5	DIELECTRIC	1	DELRIN	NONE
4	SHELL	1	BRASS	NICKEL
3	DIELECTRIC	1	DELRIN	NONE
2	PIN	1	BRASS	SILVER
1	BODY	1	BRASS	NICKEL



DISCLAIMER
 ALL DIMENSIONS AND TECHNICAL INFORMATION CONTAINED HEREIN ARE BASED UPON INFORMATION AND/OR TESTS WE BELIEVE TO BE ACCURATE AND RELIABLE. SINCE CONDITIONS OF USE ARE BEYOND OUR CONTROL, THE USER SHALL OBTAIN THE SERVICES OF THE PRODUCT FOR THE INTENDED USE AND ASSURE ALL RISK AND LIABILITY WHATSOEVER IN CONNECTION THEREWITH.

UNLESS OTHERWISE SPECIFIED, DIMENSIONS ARE FOR REFERENCE PURPOSES ONLY.

DRAWN BY:	DATE:
DANIEL CAREY	3/11/98
CHECKED BY:	DATE:
JOHN COLE	3/13/98
APPROVED BY:	DATE:
JEFF MCVICKER	7/7/98

SPC TECHNOLOGY

DRAWING TITLE: TNC MALE TWIST-ON PLUG

SIZE	DWG. NO.	ELECTRONIC FILE	REV
A	1545	92N3391.DWG	A
SCALE:	NTS	U.O.M.: INCHES [mm]	SHEET: 1 OF 1