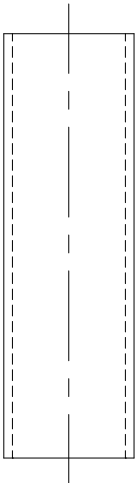
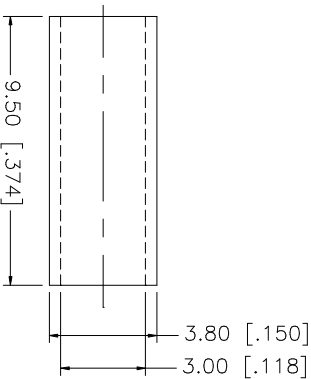
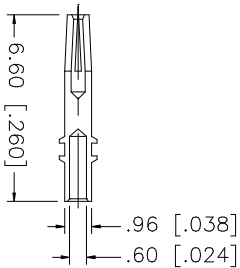
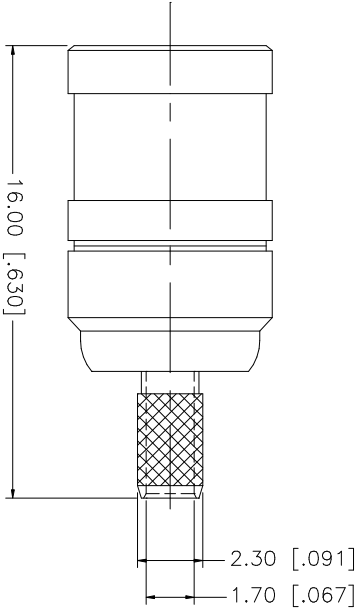
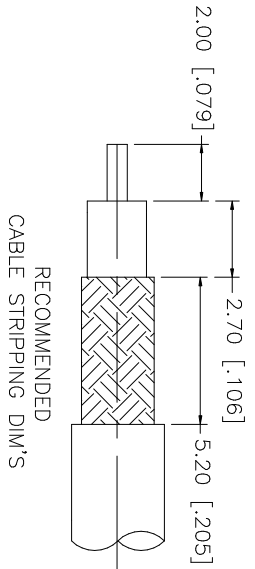


REV.	DATE	DESCRIPTION
A	04/31/03	UPDATE DRAWING FORMAT



NOTE:

1. CRIMPED FERRULE  
HEX CRIMP SIZE .128"
2. CONTACT PIN TO SOLDER.

8						UNLESS OTHERWISE SPECIFIED DIMENSIONS ARE IN MILLIMETERS. DIMENSIONS IN [ ] ARE IN INCHES AND FOR CUSTOMER REFERENCE ONLY.		APPROVALS	DATE	<b>Amphenol Connex</b>  SMB CRIMP PLUG (FOR RG-174/U, 188A/U, 316/U)								
7					UNLESS OTHERWISE SPECIFIED TOLERANCES FOR MILLIMETERS ARE:	DRAWN	G.R.S.	04/31/03										
6					0.5 - 8mm ± 0.20mm	CHECKED												
5	HEAT SHRINK TUBE				8 - 30mm ± 0.40mm	ISSUED												
4	FERRULE	COPPER			30 - 120mm ± 0.50mm	SHEET	1	OF	1									
3	CONTACT PIN	BER. COPPER			UNLESS OTHERWISE SPECIFIED TOLERANCES FOR INCHES ARE:	CAD FILE												
2	INSULATOR	TEFLON			.020 - .315 = ± 0.007"	C:/142/142178.DWG				DWG. NO.	142178.DWG	REV.	A	SIZE	A	SCALE	NA	
1	BODY	BRASS			.315 - 1.180 = ± 0.015"					PART NO.	142178							
	DESCRIPTION	MATERIAL	FINISH	QTY	DO NOT SCALE DRAWING													