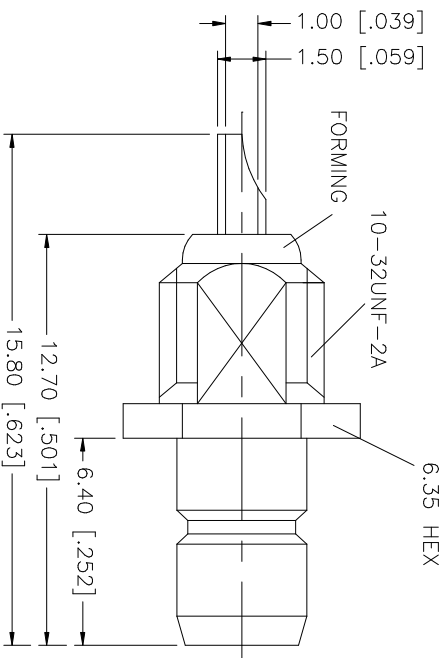
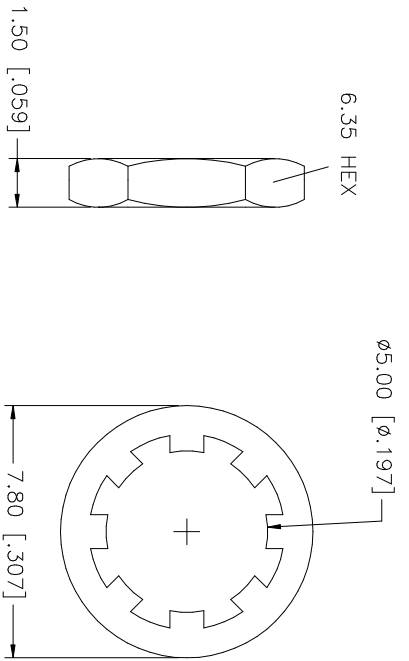
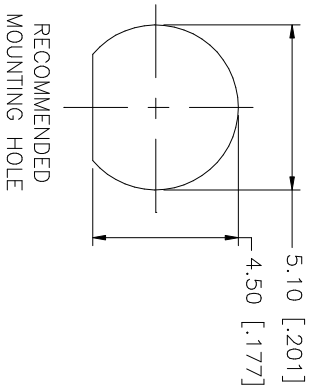


REV.	DATE	DESCRIPTION
NC	01/30/04	INITIAL RELEASE



NO.	DESCRIPTION	MATERIAL	FINISH	QTY	UNLESS OTHERWISE SPECIFIED DIMENSIONS ARE IN MILLIMETERS. DIMENSIONS IN [] ARE IN INCHES AND FOR CUSTOMER REFERENCE ONLY. TOLERANCES FOR MILLIMETERS ARE:	UNLESS OTHERWISE SPECIFIED DIMENSIONS ARE IN MILLIMETERS. DIMENSIONS IN [] ARE IN INCHES AND FOR CUSTOMER REFERENCE ONLY. TOLERANCES FOR MILLIMETERS ARE:	APPROVALS	DATE	CAD FILE	DWG. NO.	REV.	NC	SIZE	SCALE
1	INSULATOR BODY	BRASS	GOLD	1	0.5 - 8mm ± 0.20mm	0.5 - 8mm ± 0.20mm	DRAWN G.R.S.	01/30/04	C:/142/142150.DWG	142150.DWG	REV.	NC	A	NA
2	INSULATOR CONTACT PIN	BRASS	GOLD	1	8 - 30mm ± 0.40mm	8 - 30mm ± 0.40mm								
3	LOCK WASHER	BRASS	GOLD	1	30 - 120mm ± 0.30mm	30 - 120mm ± 0.30mm	PART DESCRIPTION		SMB BULKHEAD RECEPT. JACK					
4	HEX NUT	BRASS	GOLD	1	UNLESS OTHERWISE SPECIFIED DIMENSIONS ARE IN MILLIMETERS. DIMENSIONS IN [] ARE IN INCHES AND FOR CUSTOMER REFERENCE ONLY. TOLERANCES FOR MILLIMETERS ARE:		SHEET 1 OF 1		PART NO. 142150					
8	DESCRIPTION	MATERIAL	FINISH	QTY	UNLESS OTHERWISE SPECIFIED DIMENSIONS ARE IN MILLIMETERS. DIMENSIONS IN [] ARE IN INCHES AND FOR CUSTOMER REFERENCE ONLY. TOLERANCES FOR MILLIMETERS ARE:		APPROVALS		DATE					
7					UNLESS OTHERWISE SPECIFIED DIMENSIONS ARE IN MILLIMETERS. DIMENSIONS IN [] ARE IN INCHES AND FOR CUSTOMER REFERENCE ONLY. TOLERANCES FOR MILLIMETERS ARE:		DRAWN G.R.S.		01/30/04					
6					UNLESS OTHERWISE SPECIFIED DIMENSIONS ARE IN MILLIMETERS. DIMENSIONS IN [] ARE IN INCHES AND FOR CUSTOMER REFERENCE ONLY. TOLERANCES FOR MILLIMETERS ARE:		CHECKED							
5					UNLESS OTHERWISE SPECIFIED DIMENSIONS ARE IN MILLIMETERS. DIMENSIONS IN [] ARE IN INCHES AND FOR CUSTOMER REFERENCE ONLY. TOLERANCES FOR MILLIMETERS ARE:		ISSUED							
1					UNLESS OTHERWISE SPECIFIED DIMENSIONS ARE IN MILLIMETERS. DIMENSIONS IN [] ARE IN INCHES AND FOR CUSTOMER REFERENCE ONLY. TOLERANCES FOR MILLIMETERS ARE:		SHEET 1 OF 1		PART NO. 142150					

Amphenol Connex

SMB BULKHEAD RECEPT. JACK

142150