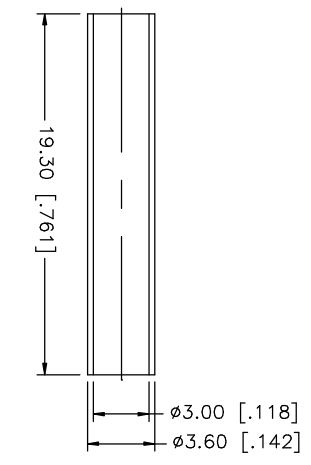
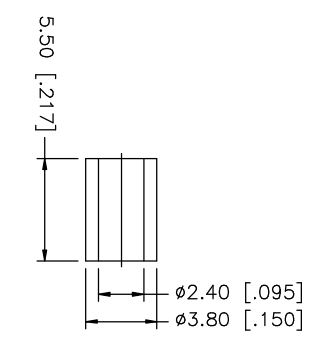
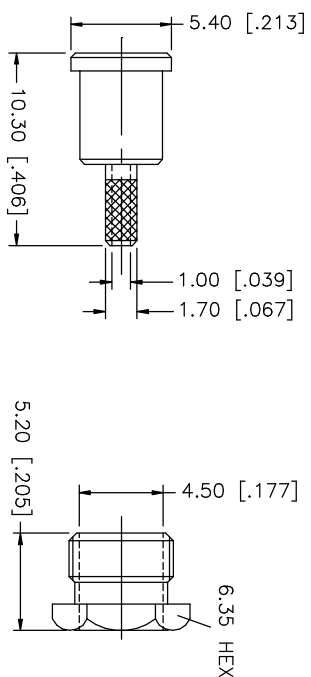
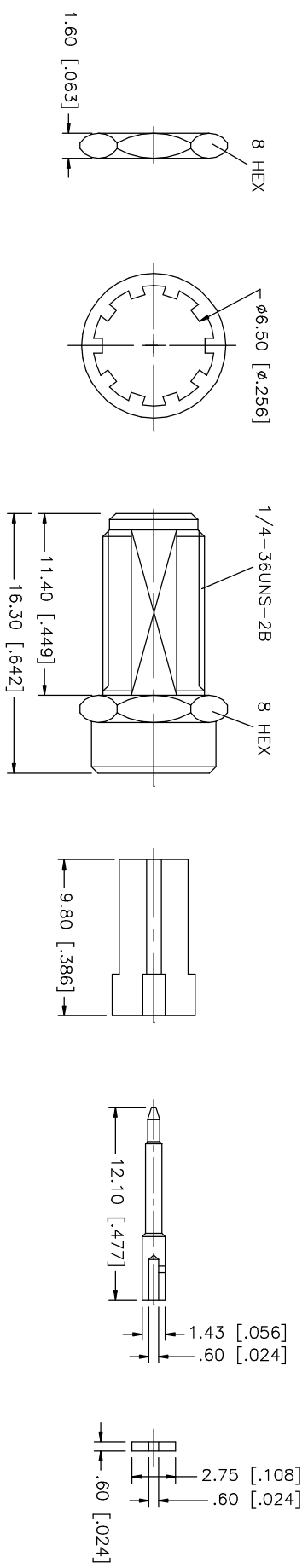
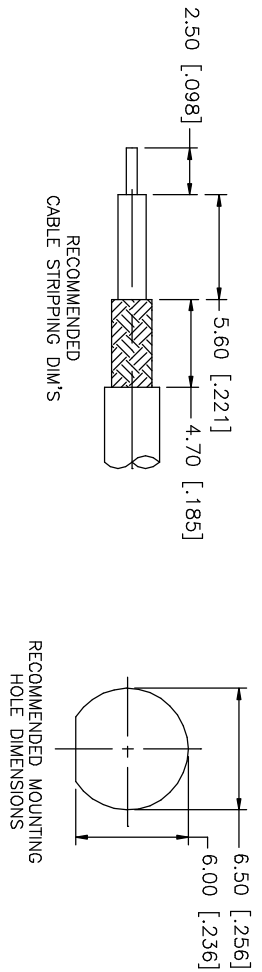


REV.	DATE	DESCRIPTION
NC	04/20/99	INITIAL RELEASE
A	06/11/03	UPDATE DRAWING FORMAT/ADD MOUNTING HOLE DIMS.



QTY	FINISH	MATERIAL	DESCRIPTION
1	NATURAL	TEFLON	INSULATOR
1	GOLD	BRASS	HOUSING/BODY
1	GOLD	BEER, COPPER	CONTACT PIN
1	GOLD	BRASS	BARREL
1	GOLD	BRASS	HEX NUT
1	GOLD	COPPER	FERRULE
			HEAT SHRINK

UNLESS OTHERWISE SPECIFIED DIMENSIONS ARE IN MILLIMETERS. DIMENSIONS IN [] ARE IN INCHES AND FOR CUSTOMER REFERENCE ONLY. TOLERANCES FOR MILLIMETERS ARE:
0.5 - 30mm ± 0.20mm
30 - 120mm ± 0.40mm
120mm - 300mm ± 0.50mm
UNLESS OTHERWISE SPECIFIED TOLERANCES FOR INCHES ARE:
.020 - .315 = ± 0.007"
.315 - 1.180 = ± 0.015"
1.180 - 4.724 = ± 0.020"

DO NOT SCALE DRAWING

APPROVALS	DATE
G.R.S.	06/11/03

CAD FILE: C:/132/132220RP.DWG

PART DESCRIPTION: SMA REVERSE POLARIZED BULKHEAD CRIMP JACK (FOR RG-178B/U, 196A/U CABLE)

PART NO.: 132220RP

DWG. NO.: 132220RP.DWG

REV. A

SIZE A

SCALE NA

Amphenol Connex