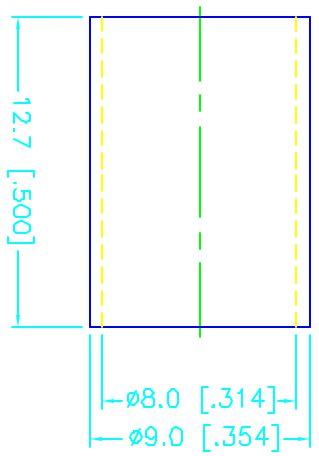
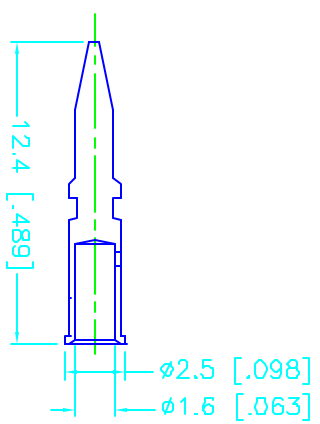
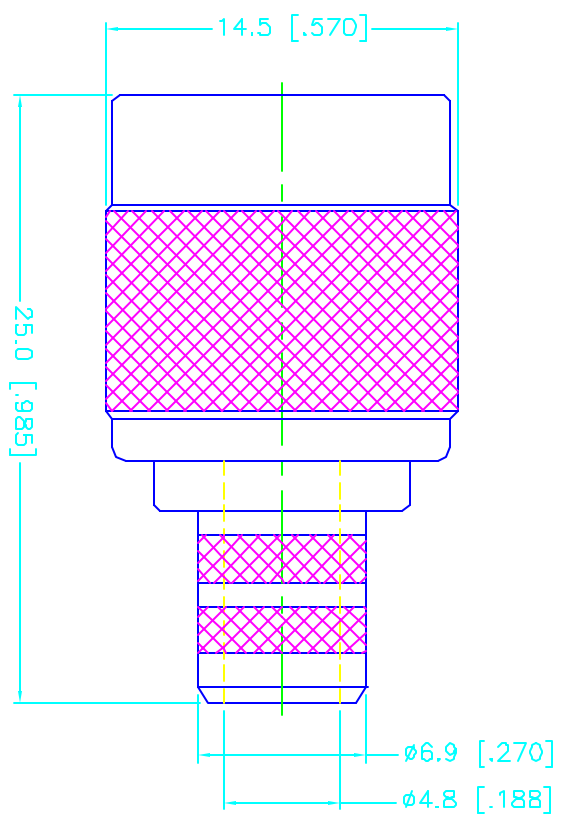
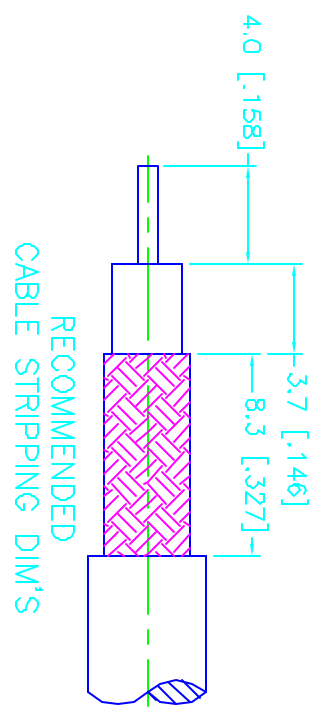


REV.	DATE	DESCRIPTION
A	11/20/97	ADD CENTER CONTACT



DESCRIPTION	MATERIAL	FINISH	UNLESS OTHERWISE SPECIFIED DIMENSIONS ARE IN MILLIMETERS DIMENSIONS IN [] ARE IN INCHES FOR CUSTOMER REFERENCE ONLY	APPROVALS	DATE	TITLE	SCALE	PART NO.	SHEET	OF
1 BODY	BRASS	NICKEL		DRAWN	G.R.S.	11/20/97				
2 INSULATOR	DELRIN	NATURAL		CHECKED						
3 CONTACT PIN	PHOS. BRONZE	GOLD		ISSUED						
4										
5										
6										
7										
8										

UNLESS OTHERWISE SPECIFIED DIMENSIONS ARE IN MILLIMETERS DIMENSIONS IN [] ARE IN INCHES FOR CUSTOMER REFERENCE ONLY	
UNLESS OTHERWISE SPECIFIED TOLERANCES FOR MILLIMETERS ARE	
0.5-6	± 0.2
6-30	± 0.4
30-120	± 0.6
120-315	± 1
315-1000	± 1.6
1000-2000	± 2.4

SIZE	FROM NO.	DWG. NO.	REV.
A	99001	122390.DWG	A

CONNECTOR CORPORATION
TNC CRIMP PLUG
RG-5/U CABLE 75ohm