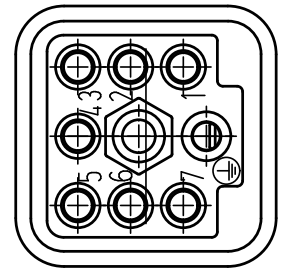
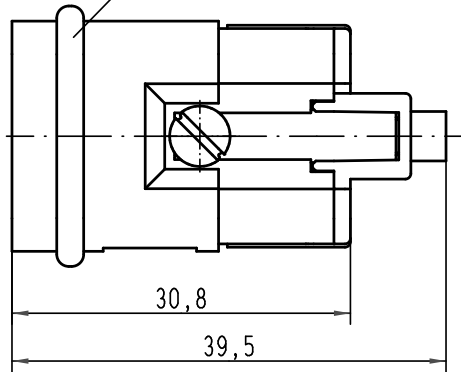
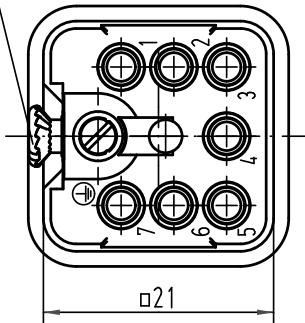


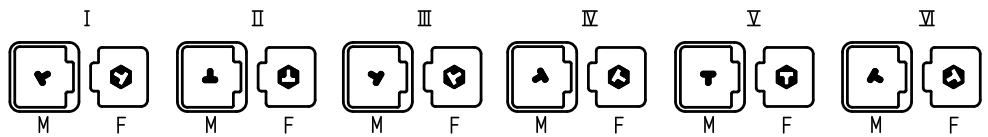
Alle Rechte vorbehalten/ All rights reserved

Befestigungsschraube lose beigelegt
insert fixing screw is enclosed separately

Dichtung / seal



Kodiermöglichkeiten mit Kodierstift 09 12 000 9901/
coding possibilities with coding pin 09 12 000 9901



| | | | | | | | |
|---|------|-------------------|--------------------------------|-------------|---|--|----------------|
| All Dimensions in mm Original Size DIN A 4 | | Techn. Character. | | | Nicht tolerierte Maß/Free size tolerances | | |
| | | | Dat. | Name | Maßstab/Scale 2:1 | Han Q 7/0-M Stifteinsatz / male insert | |
| | | | Detail. | 03.02.10 Pe | | | |
| | | | Insp. | Be | | | |
| | | | Stand. | | | | |
| A | | | HARTING Electric GmbH & Co. KG | | | TB 09 12 007 3001 | |
| Mod. | Dat. | Name | D-32339 Espelkamp | | | | |
| | | | | | | Sub. TB 09 12 007 3001 v. 03.07.03 | Blatt/page |