



ALL RIGHTS RESERVED. NO PORTION OF THIS PUBLICATION, WHETHER IN WHOLE OR IN PART, CAN BE REPRODUCED WITHOUT THE EXPRESS WRITTEN CONSENT OF SPC TECHNOLOGY.

SPC-F006.DWG

REVISIONS

DOC. NO. SPC-F005 * Effective: 7/8/02 * DCP No: 1308

DCP #	REV	DESCRIPTION	DRAWN	DATE	CHECKD	DATE	APPRVD	DATE
1716	A	Released	DCM	1/16/06	JWM	1/16/06	JN	06/27/08

Specifications

Environmental

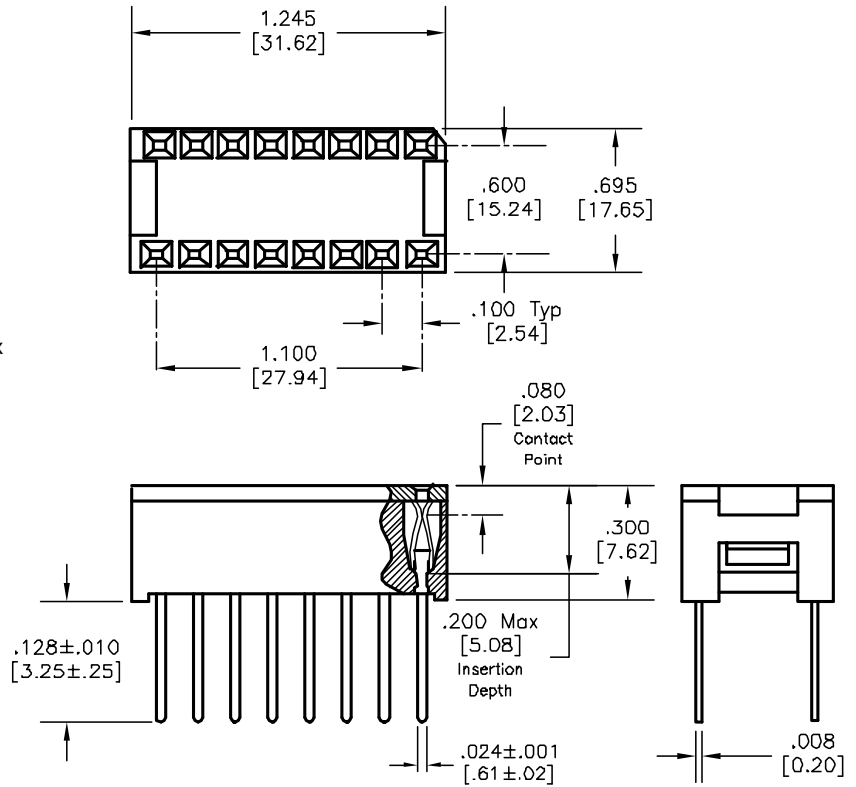
- Temperature Range: -55°C to +105°C

Mechanical

- Insulator Material: Glass filled polyester, black, UL94V-0
- Contact Material: Phosphor Bronze
- Contact Plating: Tin over Nickel
- Contact Insertion Force: 6.2 oz [1.7 N] Typ
10.6 oz [2.9 N] MAX
- Contact Extraction Force: 1.8 oz [0.5N] Typ
0.7 oz [0.2N] Min
- Recommended Mating Pin Size: .022 [0.56] x .020 [0.51]Max
.010 [0.25] x .008 [0.20]Min

Electrical

- Current Rating: 1 Amp
- Voltage Rating: 300 Vrms
- Dielectric Withstanding Voltage: 500 Vrms Min
- Insulation Resistance: >5000 Megohms
- Contact Resistance: 10 Milliohms Typ
30 Milliohms Max



DISCLAIMER:
ALL STATEMENTS AND TECHNICAL INFORMATION CONTAINED HEREIN ARE BASED UPON INFORMATION AND/OR TESTS WE BELIEVE TO BE ACCURATE AND RELIABLE. SINCE CONDITIONS OF USE ARE BEYOND OUR CONTROL, THE USER SHALL DETERMINE THE SUITABILITY OF THE PRODUCT FOR THE INTENDED USE AND ASSUME ALL RISK AND LIABILITY WHATSOEVER IN CONNECTION THEREWITH.

TOLERANCES:
Tolerances: Unless
Otherwise Specified:
.XX = ±0.10
.XXX = ±0.05
Fractional = ±1/64
Angles = ±1°

DRAWN BY:	DATE:
Dan McVicker	1/16/06
CHECKED BY:	DATE:
Jeff McVicker	1/16/06
APPROVED BY:	DATE:
Jason Nash	06/27/08

DRAWING TITLE: 24 pin standard profile IC socket, tin plating, solder			
SIZE	DWG. NO.	ELECTRONIC FILE	REV
A	SP-24-2T	31N2924.dwg	A
SCALE: NTS	U.Q.M.: INCHES [mm]	SHEET: 1 OF 1	