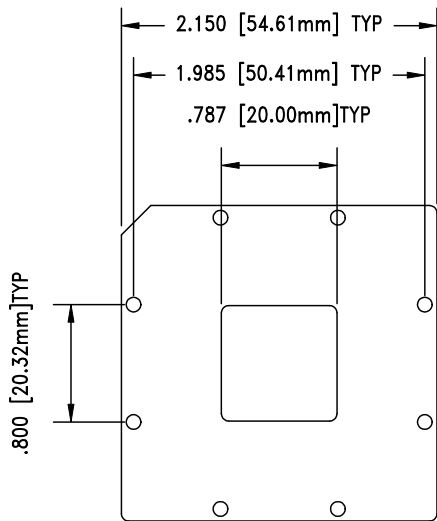
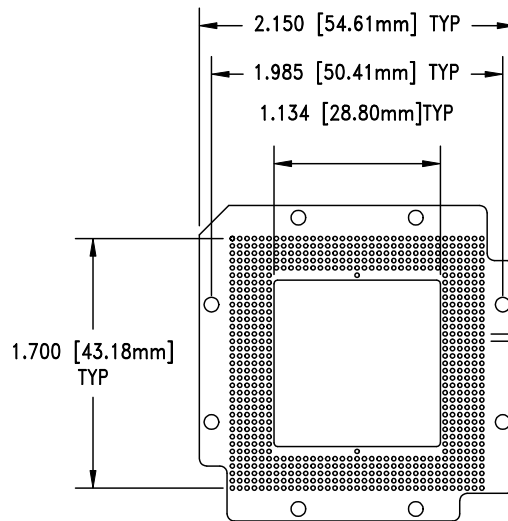


REV	DESCRIPTION	DATE	BY
A	NEW DRAWING	4/28/00	M.D.
B	UPDATED SOCKET FROM VENDOR	3/30/01	A.F.

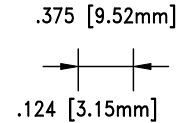
SKT950
DOD 4950



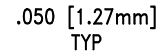
**RETENTION  
FRAME**



**SOCKET**



**RETENTION  
FRAME**

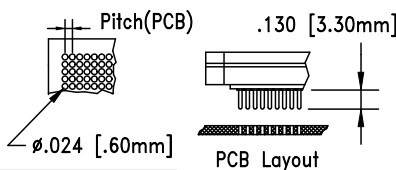
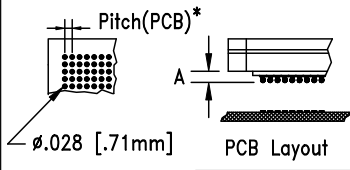


**SOCKET**

**RECOMMENDED PAD LAYOUT**

**SMT STYLE**  
-29(RC) & -30(SM) TYPE

**THRU HOLE STYLE**  
-70(ET) TYPE



**XX(YY)= SOLDERTAIL STYLE**

30= standard SMD ("A" = .047 [1.20mm])  
29= raised SMD ("A" = .197 [5.00mm])

PIN DIAMETER FOR -70(ET)=.018 [.45mm]  
BALL DIAMETER FOR -29(RC) & -30(SM)=.026 [.66mm]

\* The pitch dimension depends on your Ball Grid Array

**PACKAGE SPECIFICATIONS**

PIN COUNT	= 652
LEAD PITCH	= 1.27mm
GRID SIZE	= 35x35
PACKAGE SIZE	= UNKNOWN

ALL DIMENSIONS ARE IN INCHES UNLESS OTHERWISE SPECIFIED



**Emulation Technology, Inc.**

— VLSI and SMT ADAPTERS and ACCESSORIES —

2344 Walsh Avenue, Bldg. F  
Santa Clara, Ca 95051

TEL:(408)982-0660  
FAX:(408)982-0664

SHEET: 1 OF 1	DATE: 4-28-00	REVISION: B	<b>ASSEMBLY DRAWING</b>
------------------	------------------	----------------	-------------------------

CHECKED: PAULA OLSON	DRAWN: MIGUEL DELGADILLO	ITEM: S-BGA-35-652-YY
-------------------------	-----------------------------	--------------------------

<b>DO NOT SCALE DRAWING</b>	DESCRIPTION: BPW-652-2BG035-XX
-----------------------------	-----------------------------------