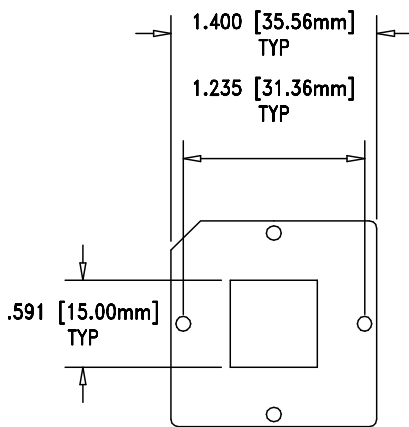
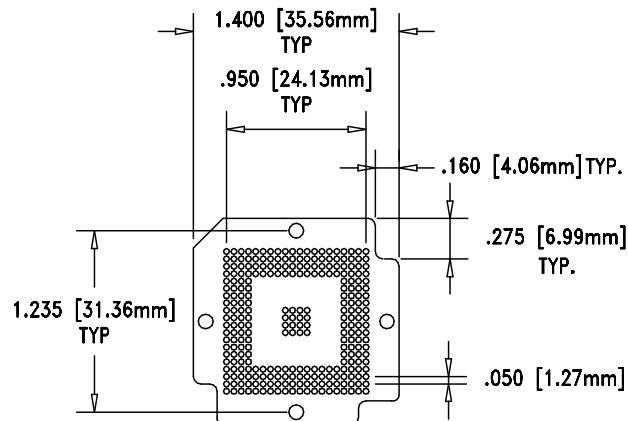


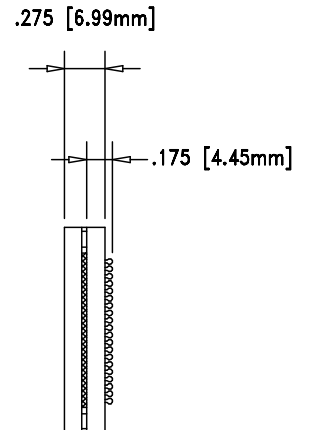
SKT937
DOD 4937



**RETENTION
FRAME**



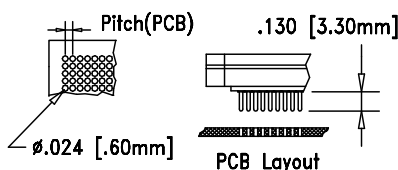
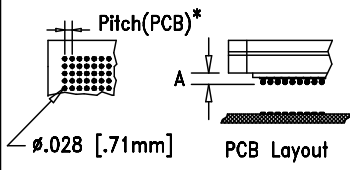
SOCKET



RECOMMENDED PAD LAYOUT

SMT STYLE
-29(RC) & -30(SM) TYPE

THRU HOLE STYLE
-70(ET) TYPE



XX(YY) = SOLDERTAIL STYLE

30= standard SMD ("A" = .047 [1.20mm])
29= raised SMD ("A" = .197 [5.00mm])

PIN DIAMETER FOR -70(ET)=.018 [.45mm]
BALL DIAMETER FOR -29(RC) & -30(SM)=.026 [.66mm]

* The pitch dimension depends on your Ball Grid Array

ALL DIMENSIONS ARE IN INCHES UNLESS OTHERWISE SPECIFIED



Emulation Technology, Inc.

— VLSI and SMT ADAPTERS and ACCESSORIES —

2344 Walsh Avenue, Bldg. F
Santa Clara, Ca 95051

TEL:(408)982-0660
FAX:(408)982-0664

SHEET: 1 OF 1
DATE: 01-19-01

REVISION:

ASSEMBLY DRAWING

CHECKED:
PAULA OLSON

DRAWN:
MIGUEL DELGADILLO

ITEM: S-BGA-20-272-YY

DO NOT SCALE DRAWING

DESCRIPTION:
BPW-272-2BG020-XX