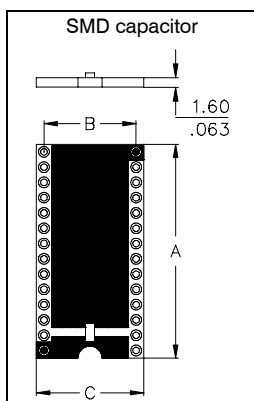
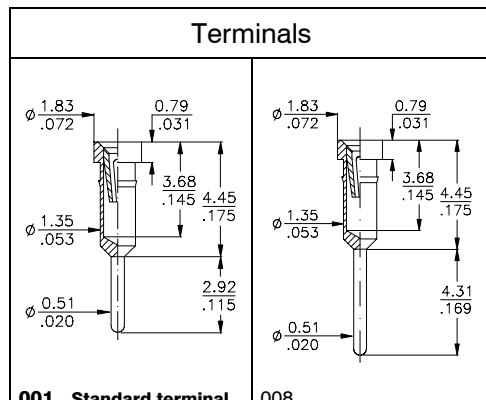
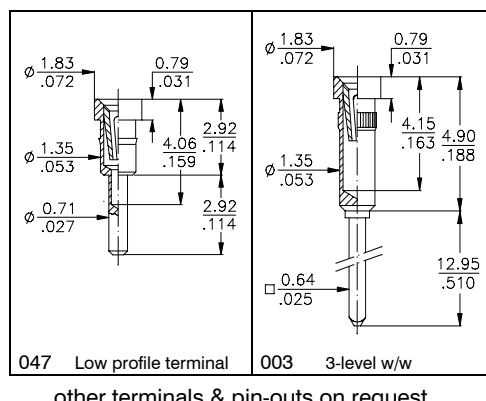


Pin	"A"	"B"	"C"	Ordering code
8	10,16/.400	7.62 .300	10.16 .400	QIT-308-W001-95
14	17,78/.700			QIT-314-W001-95
16	20,32/.800			QIT-316-W001-95
18	22,86/.900			QIT-318-W001-95
20	25,40/1.00			QIT-320-W001-95
24	30,48/1.20			QIT-324-W001-95
28	35,56/1.40	15.24 .600	17.78 .700	QIT-328-W001-95
24	30,48/1.20			QIT-624-W001-95
28	35,56/1.40			QIT-628-W001-95
32	40,64/1.60			QIT-632-W001-95
40	50,80/2.00			QIT-640-W001-95



Pin	"A"	"B"	"C"	Ordering code
8	10,16/.400	7.62 .300	10.16 .400	QIT-308-S001-95
14	17,78/.700			QIT-314-S001-95
16	20,32/.800			QIT-316-S001-95
18	22,86/.900			QIT-318-S001-95
20	25,40/1.00			QIT-320-S001-95
24	30,48/1.20			QIT-324-S001-95
28	35,56/1.40	15.24 .600	17.78 .700	QIT-328-S001-95
24	30,48/1.20			QIT-624-S001-95
28	35,56/1.40			QIT-628-S001-95
32	40,64/1.60			QIT-632-S001-95
40	50,80/2.00			QIT-640-S001-95



other terminals & pin-outs on request

Socket Specifications

Mechanical data

Insertion force 1,80 N (avg)
 Extraction force (standard) 0,90 N (avg)
 Contact life > 100 cycles
 Solder ability exceeds MIL-STD-202 Methode 208
 Water absorption during 24hrs at 20°C 0,05%
 Contact security:
 -Vibration (MIL-STD-202 Method 204 B) 20g
 -Shock (MIL-STD-202 Method 202 C) 150g

Material

Insulator (RoHS compliant) high temp plastic UL 94 V-0 (wired version); epoxy FR 4 for SMD
 Terminal (RoHS compliant) CuZn
 Contact (RoHS compliant) BeCu

Electrical data

Contact resistance at 1A 4,3 mΩ typ.
 Current rating 1A max.
 Contact capacitance at 1MHz 2 pF max.
 Insulation resistance at 500V DC 5 × 10⁹ Ω min.
 (MIL-STD-1344 Methode 3003)
 Breakdown voltage at 60 Hz 1 KV min.
 (MIL-STD-1344 Methode 3001.1)
 Contact resistance after 1000 ins./ext. cycles ≤ 7 mΩ
Operating temperature - 25°C to +85°C
Pitch 2,54 mm (.100")

Capacitor Specifications

General data

Ceramic material Z5U
 Voltage 50 V

Available capacitor values

Standard type 100nF (0.1 μF)
 Alternatives: 10nF (0.01 μF)

How to order

QIT - x x x - X x x x - 95 (/ x)

