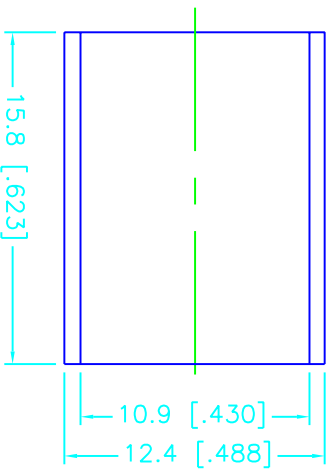
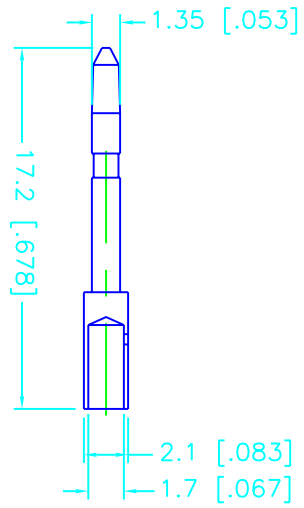
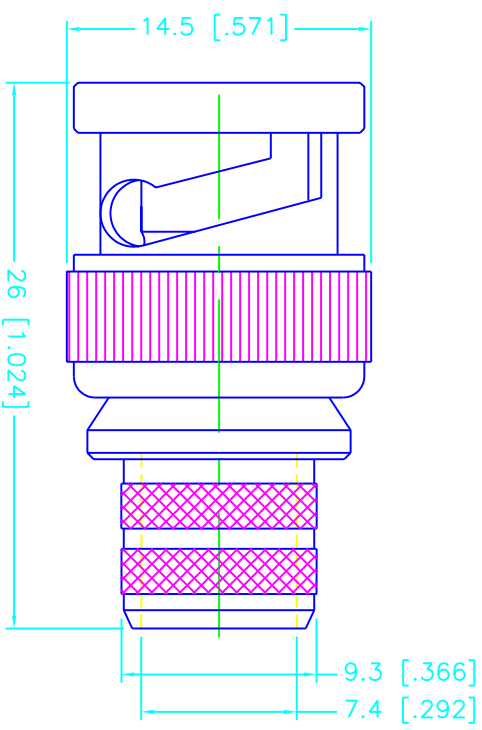
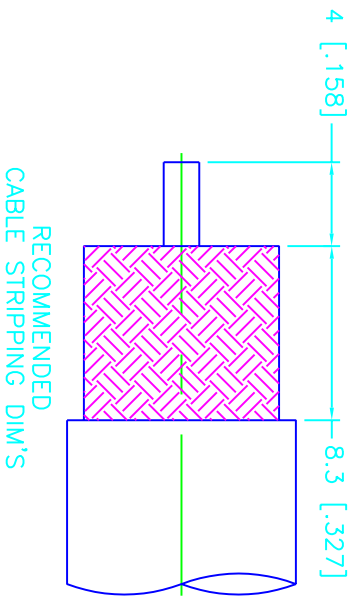



REV.	DATE	DESCRIPTION
NC	09/30/99	INITIAL RELEASE



DESCRIPTION	MATERIAL	FINISH	UNLESS OTHERWISE SPECIFIED DIMENSIONS ARE IN MILLIMETERS DIMENSIONS IN [] ARE IN INCHES FOR CUSTOMER REFERENCE ONLY
1 BODY	BRASS	NICKEL	UNLESS OTHERWISE SPECIFIED TOLERANCES FOR MILLIMETERS ARE: 0.5-6 = ± 0.2 6-30 = ± 0.4 30-120 = ± 0.6 120-315 = ± 1 315-1000 = ± 1.6 1000-2000 = ± 2.4
2 INSULATOR	TEFLON	NATURAL	
3 CONTACT PIN	BRASS	GOLD	
4 FERRULE	COPPER	NICKEL	
5			
6			
7			
8			

APPROVALS	DATE
DRAWN G.R.S.	09/30/99
CHECKED	
ISSUED	


Connex
 Connector Corporation

TITLE: BNC CRIMP PLUG - RG11/U 14-AWG CONTACT (FOR BELDEN 9292, 8213 CABLE - 75ohms)
 SIZE: A
 FSCM NO.: 99001
 DWG. NO.: 112606.DWG
 SCALE: NA
 PART NO.: 112606
 SHEET: 1 OF 1