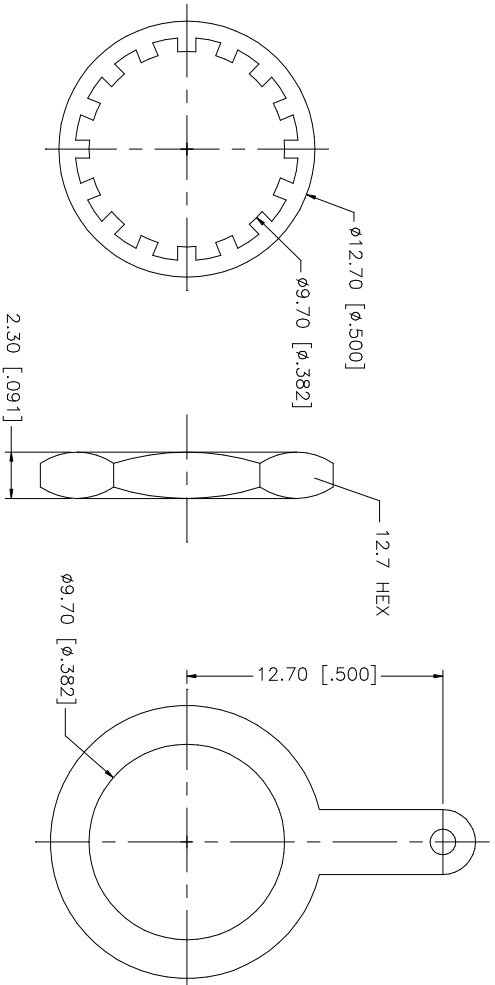
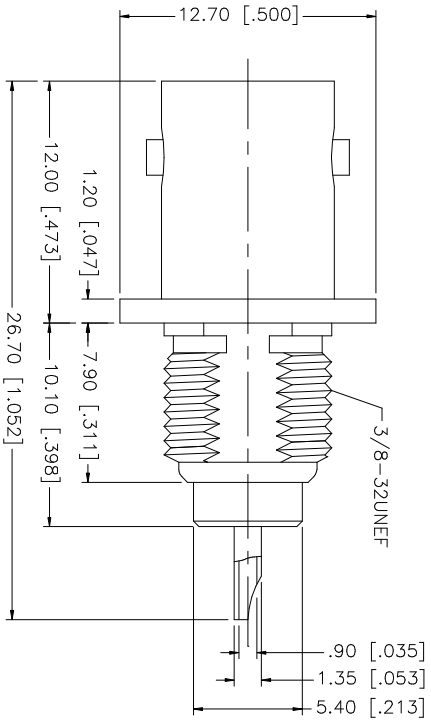
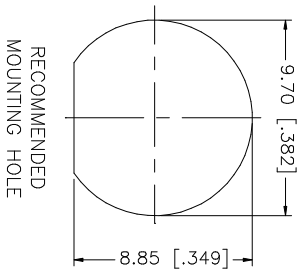


| REV. | DATE     | DESCRIPTION     |
|------|----------|-----------------|
| NC   | 03/21/03 | INITIAL RELEASE |



| QTY | FINISH  | MATERIAL     | DESCRIPTION |
|-----|---------|--------------|-------------|
| 1   | NICKEL  | BRASS        | SOLDER TAB  |
| 1   | NICKEL  | BRASS        | HEX NUT     |
| 1   | NICKEL  | BRASS        | LOCK WASHER |
| 1   | NATURAL | DELIRIN      | INSULATOR   |
| 1   | GOLD    | PHOS. BRONZE | CONTACT PIN |
| 1   | NICKEL  | BRASS        | BODY        |
|     |         |              | DESCRIPTION |

| APPROVALS    | DATE     | PART DESCRIPTION                  |
|--------------|----------|-----------------------------------|
| DRAWN G.R.S. | 03/21/03 | BNC BULKHEAD RECEPTACLE - 75 ohms |
| CHECKED      |          |                                   |
| ISSUED       |          |                                   |
| SHEET 1 OF 1 |          | PART NO. 112425                   |

| DO NOT SCALE DRAWING | CAD FILE          | DWG. NO.   | REV | SIZE | SCALE |
|----------------------|-------------------|------------|-----|------|-------|
|                      | C:/112/112425.DWG | 112425.DWG | NC  | A    | NA    |

**Amphenol Connex**

BNC BULKHEAD RECEPTACLE - 75 ohms