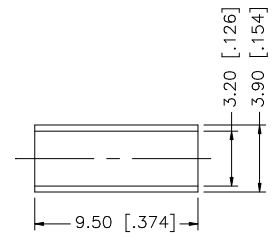
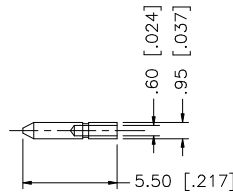
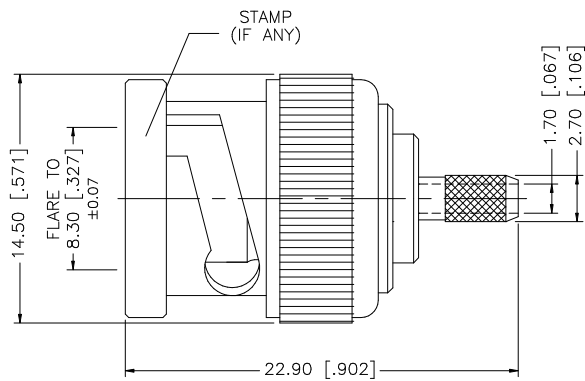
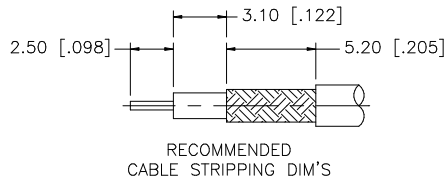


REV.	DATE	DESCRIPTION
NC	10/24/06	INITIAL RELEASE



8				<small>UNLESS OTHERWISE SPECIFIED DIMENSIONS ARE IN MILLIMETERS. DIMENSIONS IN [] ARE IN INCHES AND FOR CUSTOMER REFERENCE ONLY.</small> <small>UNLESS OTHERWISE SPECIFIED TOLERANCES FOR MILLIMETERS ARE:</small> 0.5 - 8mm ± 0.20mm 8 - 30mm ± 0.40mm 30 - 120mm ± 0.50mm <small>UNLESS OTHERWISE SPECIFIED TOLERANCES FOR INCHES ARE:</small> .020 - .315 = ± 0.007" .315 - 1.180 = ± 0.015" 1.180 - 4.724 = ± 0.020"	APPROVALS	DATE	<h1 style="color: blue;">Amphenol Connex</h1>	
7			DRAWN		G.R.S.	10/24/06		PART DESCRIPTION BNC CRIMP PLUG (FOR RG-174/U, 188A/U, 316/U)
6			CHECKED					
5			ISSUED					
4	FERRULE	COPPER	NICKEL		1	SHEET		1 OF 1
3	CONTACT PIN	PHOS. BRONZE	GOLD	1	112136			
2	INSULATOR	DELTRIN	NATURAL	1	DWG. NO.	112136.DWG	REV. NC	
1	BODY	BRASS	NICKEL	1	SIZE	A	SCALE	
	DESCRIPTION	MATERIAL	FINISH	QTY	DO NOT SCALE DRAWING			SCALE
					CAD FILE	C:/112/112136.DWG	SCALE	
							NA	