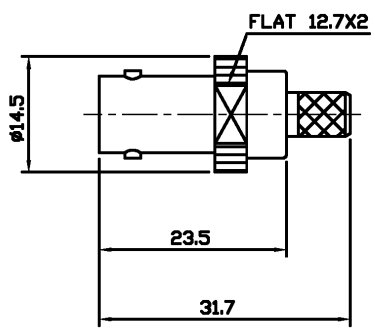


THIS DRAWING IS UNPUBLISHED. RELEASED FOR PUBLICATION 18.12.00
 © COPYRIGHT 2001 BY TYCO ELECTRONICS CORPORATION. ALL RIGHTS RESERVED.

| LOC | | DIST | | REVISIONS | | | |
|-----|-----|-------------|------------------------|-----------|------|----|--|
| P | LTR | DESCRIPTION | DATE | DWN | APVD | | |
| E | B | A | RELEASE FOR PRODUCTION | 18.12.00 | RS | RG | |



△ SUPPLIED SEMI-ASSEMBLED (PACK CONTAINS LOOSE PIECES)
 VIEW SHOWS ASSEMBLED CONNECTOR (CABLE OMITTED)
 FOR CABLE TO CONNECTOR ASSEMBLY GUIDANCE
 REFER TO TYCO INSTRUCTION SHEET I.S 411 - 3247

ALL DIMENSIONS ARE NOMINAL. FOR REFERENCE ONLY.

| | |
|--------------------------|--------------------------|
| DIE SET PART NUMBER | 9-1478245-0 |
| HANDTOOL PART NUMBER | 9-1478240-0 |
| FOR USE ON CABLES | RG179B/U, 187A/U, URM111 |
| CONNECTOR PLATING DETAIL | SILVER |
| CONTACT PLATING DETAIL | SILVER |
| DIELECTRIC MATERIAL | TEFLON |
| GASKET MATERIAL | N/A |

| | | | | |
|---|--|-------------------------------|--|--------------------|
| THIS DRAWING IS A CONTROLLED DOCUMENT. | | DWN R SMITH 18.12.00 | Tyco Electronics Corporation Stanmore, Middlesex, HA7 4RS | |
| DIMENSIONS: MM | | CHK R GOODALL 18.12.00 | NAME BNC STRT CRIMP JK RG179 75 OHM | |
| TOLERANCES UNLESS OTHERWISE SPECIFIED: 0 PLC ± - 1 PLC ± - 2 PLC ± - 3 PLC ± - 4 PLC ± - ANGLES ± - | | APVD R GOODALL 18.12.00 | PRODUCT SPEC 108-3435 | |
| MATERIAL - | | FINISH - | APPLICATION SPEC - | RESTRICTED TO - |
| | | WEIGHT - | SIZE A3 | CAGE CODE 00779 |
| | | DRAWING NO C-1478064 | | DRAWING NO - |
| | | CUSTOMER DRAWING | | SCALE NTS |
| | | SHEET 1 OF 1 | | REV A |

AMP 1470-19 REV 31MAR2000