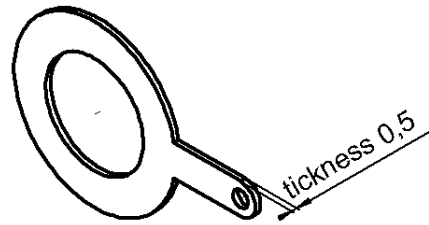
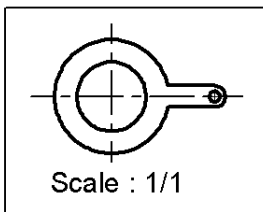
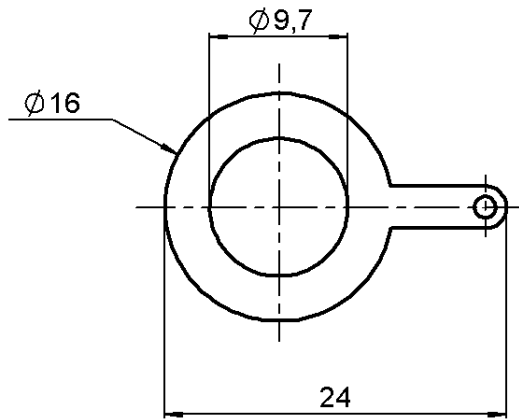


REMOVABLE CONTACT FOR GLASS SEAL

R280.490.020

PACK 10

Series : ACC-COAX



All dimensions are in mm.



COMPONENTS	MATERIALS	PLATINGS (µm)
BODY	BRASS	NICKEL 2
CENTER CONTACT	-	-
OUTER CONTACT	-	-
INSULATOR	-	-
GASKET	-	-
OTHERS PARTS	-	-

Operating temperature : °C

Weight : 0.040 g

Others characteristics : -

Issue : 0336 A

In the effort to improve our products, we reserve the right to make changes judged to be necessary.

