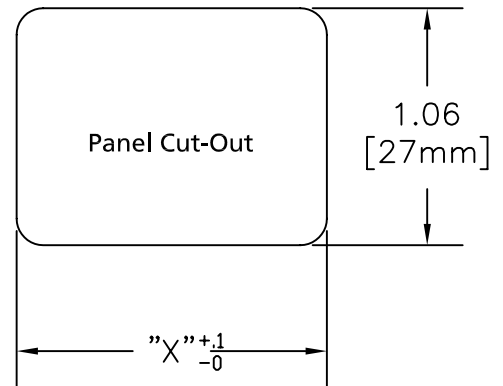
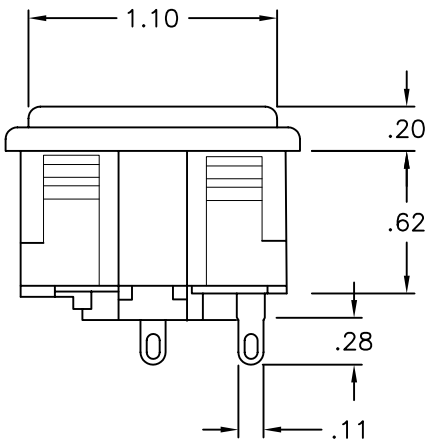
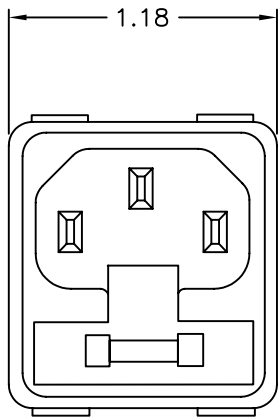
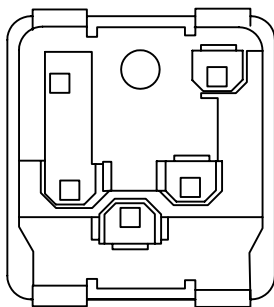


DCP #	REV	DESCRIPTION	DRAWN	DATE	CHECKD	DATE	APPRVD	DATE
162	A	RELEASED	JWM	1/27/98	JC	2/4/98	BB	2/5/98
1780	B	RoHS added	DCM	10/25/05	JWM	10/26/05	JWM	10/26/05



Panel Thickness
 .032 - .047 ["X"=1.236]
 .051 - .079 ["X"=1.244]



Material:
 Housing: Thermoplastic
 Terminal: Copper Alloy

Characteristics:
 Rating: 10A 250VAC
 Insulation Resistance: Over 100 Ohm 500 VDC
 Dielectric Strength: 2000VAC One Minute
 Fuse: Ø5 x 20mm 250VAC 6.3A Max.

Approvals:
 UL, CSA, VDE, SEV, CB, SEMKO, DEMKO, NEMKO, and SETI

NOTE: Dual Fuseholder, one active, one spare.
 Fuses not included - Recommended Size: 5 x 20mm

SPC-F004.DWG

TOLERANCES: UNLESS OTHERWISE SPECIFIED, DIMENSIONS ARE FOR REFERENCE PURPOSES ONLY.	DRAWN BY: Jeff McVicker	DATE: 1/27/98	DRAWING TITLE: Power Inlet with Fuseholder IEC 320 - C14			
	CHECKED BY: John Cole	DATE: 2/4/98	SIZE A	DWG. NO. 2151	ELECTRONIC FILE 92N4154.dwg	REV B
	APPROVED BY: Brett Braatz	DATE: 2/5/98	SCALE: NTS		U.O.M.: INCHES [mm]	SHEET: 1 OF 1
	ALL RIGHTS RESERVED. NO PORTION OF THIS PUBLICATION, WHETHER IN WHOLE OR IN PART CAN BE REPRODUCED WITHOUT THE EXPRESS WRITTEN CONSENT OF SPC TECHNOLOGY. DISCLAIMER: ALL STATEMENTS AND TECHNICAL INFORMATION CONTAINED HEREIN ARE BASED UPON INFORMATION AND/OR TESTS WE BELIEVE TO BE ACCURATE AND RELIABLE. SINCE CONDITIONS OF USE ARE BEYOND OUR CONTROL, THE USER SHALL DETERMINE THE SUITABILITY OF THE PRODUCT FOR THE INTENDED USE AND ASSUME ALL RISK AND LIABILITY WHATSOEVER IN CONNECTION THEREWITH.					