

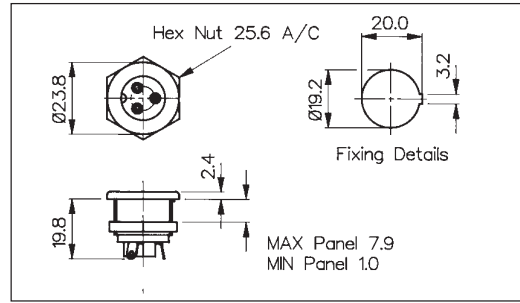
Plugs and Sockets (2 Pole + Earth)

CIRCULAR MALE INLET



PX0429

- 2 Pole + Earth
- Mates with PX0430/SE and PX0646
- Key to Ensure Correct Polarity
- Solder Tags
- 3A, 250V a.c.

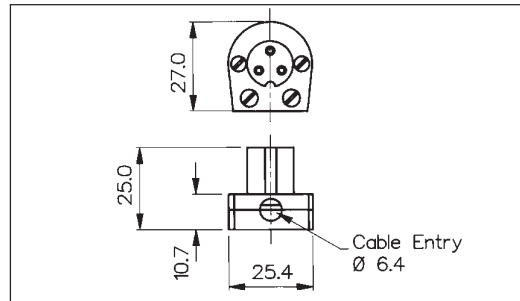


CIRCULAR FEMALE CONNECTOR



PX0430/SE

- 2 Pole + Earth
- Mates with PX0429
- Key Way to Ensure Correct Polarity
- Solder Tags
- 3A, 250V a.c.

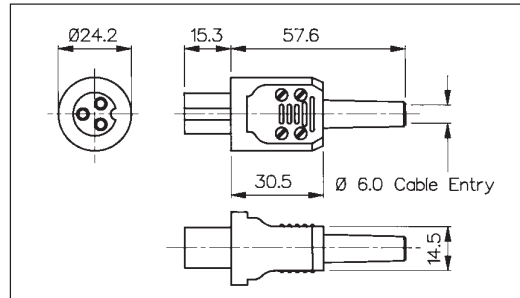


CIRCULAR FEMALE CONNECTOR



PX0646

- 2 Pole + Earth
- Mates with PX0429
- Key Way to Ensure Correct Polarity
- Solder Tags
- 3A, 250V a.c.



GEN. PURPOSE

Specification	PX0429	PX0430/SE	PX0646
Terminations:	Solder Tags	Solder Tags	Solder Tags
Max. Rating:	3A, 250V a.c.	3A, 250V a.c.	3A, 250V a.c.
Contact Resistance:	<10mΩ	<10mΩ	<10mΩ
Insulation Resistance:	>10 <sup>5</sup> MΩ	>10 <sup>5</sup> MΩ	>10 <sup>5</sup> MΩ
A.C. Breakdown:	Pole-Pole 4.5kV Poles-Panel 8.5kV	Pole-Pole 4.5kV Poles-Accessible Parts 3.5kV	Pole-Pole 4.5kV Poles-Accessible Parts 3.5kV
Operating Temp. Range:	-20°C to +60°C	-20°C to +60°C	-20°C to +60°C
Mouldings:	Glass Filled Nylon	Nylon and Glass Filled Nylon	Nylon and Glass Filled Nylon
Contacts:	Brass, Tin Dipped	Brass, Silver Plated	Brass, Silver Plated
Accessories:	P.No. 9455 (see page 134)		
Mates With:	PX0430/SE & PX0646	PX0429	PX0429