

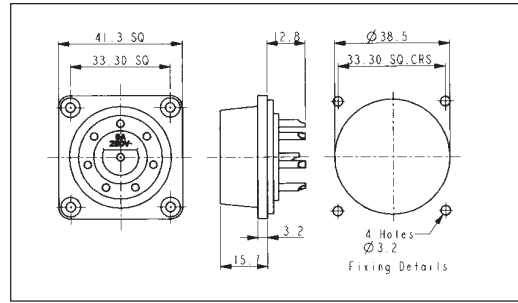
Panel Mount Plugs

PANEL MOUNT MALE CIRCULAR INLET



PX0959/P

- 8 Poles
- Mates with and PX0956/S, PX0957/S, PX0552 and PX0552/PC
- Solder bucket terminals
- 6A, 250V a.c. (per Pin)

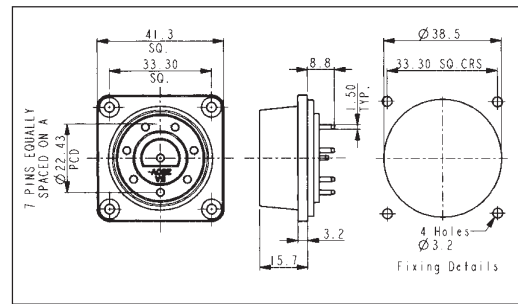


PANEL MOUNT MALE CIRCULAR INLET



PX0959/P/PC

- 8 Poles
- Mates with PX0956/S, PX0957/S, PX0552 and PX0552/PC
- P.C. Spill terminations
- 6A, 250V a.c. (per Pin)



GEN. PURPOSE

Specification	PX0959/P	PX0959/P/PC
Terminations:	Solder bucket	P.C. Spill
Max. Rating:	6A, 250V a.c. (per pin)	6A, 250V a.c. (per pin)
Contact Resistance:	<10mΩ	<10mΩ
Insulation Resistance:	>10 ⁴ MΩ @ 500V d.c.	>10 ⁴ MΩ @ 500V d.c.
A.C. Breakdown:	Pole-Pole 6kV Poles-Exterior Parts/Panel 6kV	Pole-Pole 6kV Poles-Exterior Parts/Panel 6kV
Operating Temp. Range:	-20°C to +70°C	-20°C to +70°C
Mouldings:	Glass Filled Nylon (black)	Glass Filled Nylon (black)
Flammability Rating:	UL94 HB	UL94 HB
Contacts:	Turned Brass, Tin Plated	Turned Brass, Tin Plated
Mates With:	PX0956/S, PX0957/S, PX0552, PX0552/PC	PX0956/S, PX0957/S, PX0552, PX0552/PC