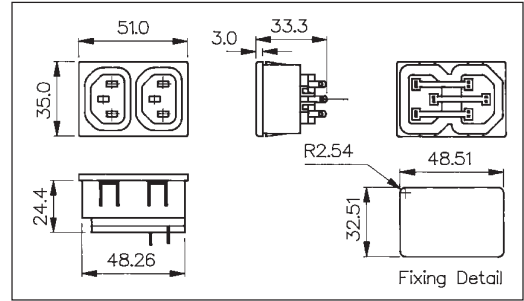


EN60 320-2-2 Standard Sheet F Class I

SNAP FIT TO PANEL TWO WAY OUTLET



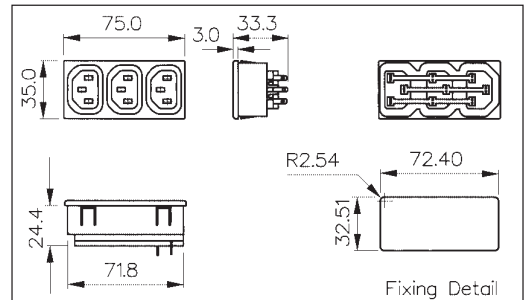
- Panel Size 1.5mm
- 2.8mm Solder Tabs
- 10A, 250V a.c. (15A, 250V a.c. UL)
- All Terminals Linked



SNAP FIT TO PANEL THREE WAY OUTLET



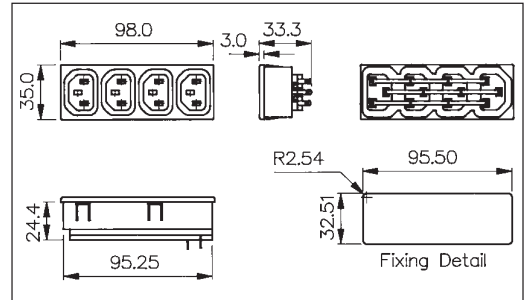
- Panel Size 1.5mm
- 2.8mm Solder Tabs
- 10A, 250V a.c. (15A, 250V a.c. UL)
- All Terminals Linked



SNAP FIT TO PANEL FOUR WAY OUTLET



- Panel Size 1.5mm
- 2.8mm Solder Tabs
- 10A, 250V a.c. (15A, 250V a.c. UL)
- All Terminals Linked



IEC CONNECTORS

Specification	PX0714/2/15/28	PX0714/3/15/28	PX0714/4/15/28
Fixing:	Snap fit /15 (1.5mm)	Snap fit /15 (1.5mm)	Snap fit /15 (1.5mm)
Terminations:	/28 (2.8mm solder)	/28 (2.8mm solder)	/28 (2.8mm solder)
Total Max. Rating:	10A, 250V a.c. 15A, 250V a.c UL	10A, 250V a.c. 15A, 250V a.c UL	10A, 250V a.c. 15A, 250V a.c UL
Operating Temp. Range:	-20°C to +70°C	-20°C to +70°C	-20°C to +70°C
Mouldings:	Nylon, Flammability Rating UL94V-0	Nylon, Flammability Rating UL94V-0	Nylon, Flammability Rating UL94V-0
Contacts & Busbar:	Plated Copper Alloy	Plated Copper Alloy	Plated Copper Alloy
Approvals:			
Mates with:	PX0686, PX0686/SE, PZ0500, PZ0600	PX0686, PX0686/SE, PZ0500, PZ0600	PX0686, PX0686/SE, PZ0500, PZ0600