

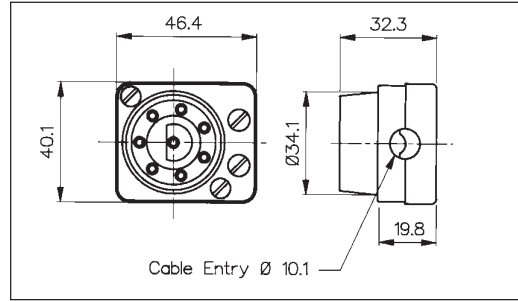
Flex Mount Plug and Panel Mount Sockets

FLEX MOUNT MALE CIRCULAR CONNECTOR



PX0551

- 8 Poles
- Mates with PX0552, PX0552/PC, PX0956/S and PX0957/S
- Screw Terminals
- 6A, 250V a.c. (per Pin)

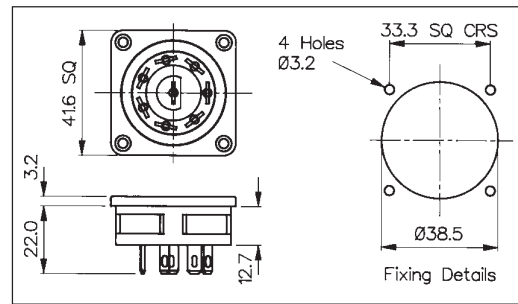


PANEL MOUNT FEMALE CIRCULAR OUTLET



PX0552

- 8 Poles
- Mates with PX0551
- 4.8mm Tabs
- 6A, 250V a.c. (per Pin)

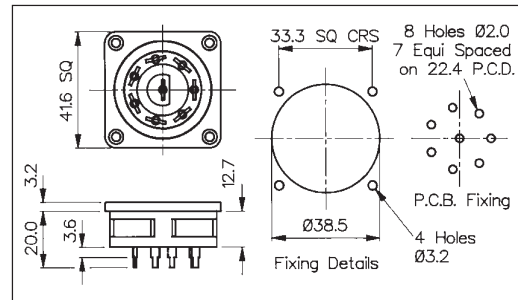


PC PANEL MOUNT FEMALE CIRCULAR OUTLET



PX0552/PC

- 8 Poles
- Mates with PX0551
- PC Spills
- 6A, 250V a.c. (per Pin)



GEN. PURPOSE

Specification	PX0551	PX0552	PX0552/PC
Terminations:	Screw Terminals	4.8 Series Tab	P.C. Spills
Max. Rating:	6A, 250V a.c. (per pin)	6A, 250V a.c. (per pin)	6A, 250V a.c. (per pin)
Contact Resistance:	<20mΩ	<20mΩ	<20mΩ
Insulation Resistance:	>10 ³ MΩ	>10 ³ MΩ	>10 ³ MΩ
A.C. Breakdown:	Pole-Pole 5.2kV Poles-Accessible Parts 6kV	Pole-Pole 5.2kV Poles-Exterior Parts/Panel 2kV	Pole-Pole 5.2kV Poles-Exterior Parts/Panel 6.6kV
Operating Temp. Range:	-20°C to +70°C	-20°C to +70°C	-20°C to +70°C
Mouldings:	Glass Filled Nylon (Black)	Glass Filled Nylon (Black)	Glass Filled Nylon (Black)
Flammability Rating:	UL94 HB	UL94 HB	UL94 HB
Contacts:	Brass, Nickel Plated	Brass, Tin Plated	Brass, Tin Plated
Mates With:	PX0552, PX0552/PC, PX0956/S, PX0957/S	PX0551, PX0959/P, PX0959/P/PC	PX0551, PX0959/P, PX0959/P/PC