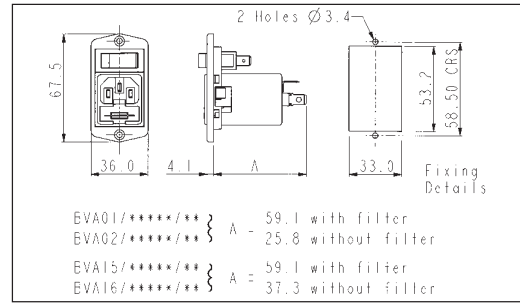


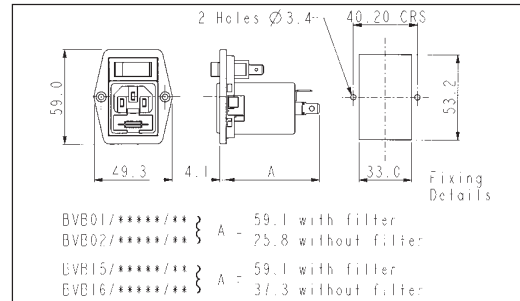
IEC Fused Inlet - Polyflange



- Screw Fixing to Panel
- Vertical Module Arrangement
- Snap-in Components
- Inlet Variations (with various tag sizes)
- Single Pole Switch Variations
- Filtered Inlet Option
- Options of O/I marked switches
- Fused



- Screw Fixing to Panel
- Vertical Module Arrangement
- Snap-in Components
- Inlet Variations (with various tag sizes)
- Single Pole Switch Variations
- Filtered Inlet Option
- Options of O/I marked switches
- Fused



How to Order

BVx xx / xxxxx / xx

Flange Type	Type of Inlet / Outlet	Filtered or Non Filtered Inlet	Combination of Other Components
<p>A = Top fixing</p> <p>B = Side fixing</p>	<p>Fused Power Inlet (cold condition), 6.3 or 2.8mm tabs:</p> <p>01 = PF0011/63 02 = PF0011/28</p> <p>Twin Fused Power Inlet (cold condition), 6.3 or 2.8mm tabs:</p> <p>15 = PF0033/63 16 = PF0033/28</p>	<p>Z0000 = Non Filtered</p> <p>Axxxx = Standard</p> <p>Bxxxx = Medical</p> <p>Cxxxx = High Performance Standard (Single Fuse Version only)</p> <div style="border: 1px solid black; padding: 5px; margin-top: 10px;"> <p>For Filtered inlet use 6th to 9th characters from filter ordering code see pages 71-74.</p> <p>E.g. BVA01/A0620/01</p> </div>	<p>Single Pole Switch:</p> <p>01 = S.P. Switch</p> <p>Single Pole Neon Switch:</p> <p>02 = S.P. Red Neon Switch 08 = S.P. Green Neon Switch</p> <p>Neon Indicator:</p> <p>03 = Red Neon Indicator</p> <p>Single Pole High Inrush Switch:</p> <p>46 = S.P. High Inrush Switch</p> <p>Single Pole Switch Marked O/I:</p> <p>69 = S.P. Switch (O/I)</p> <p>Single Pole Neon Switch Marked (O/I):</p> <p>71 = S.P. Red Neon Switch (O/I) 74 = S.P. Green Neon Switch (O/I)</p> <p>Single Pole High Inrush Switch Marked (O/I):</p> <p>98 = S.P. High Inrush Switch (O/I)</p>

Note: For technical details of individual components please see page 54