



SPC
TECHNOLOGY

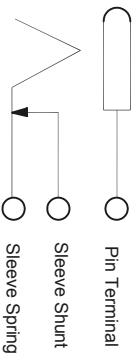
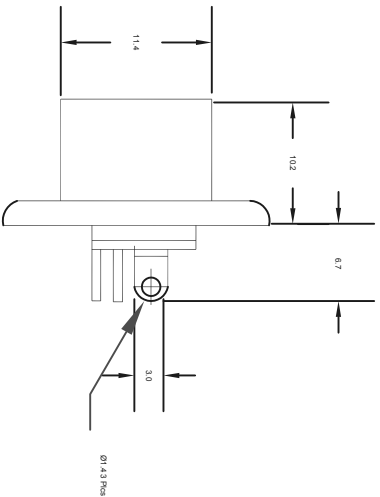
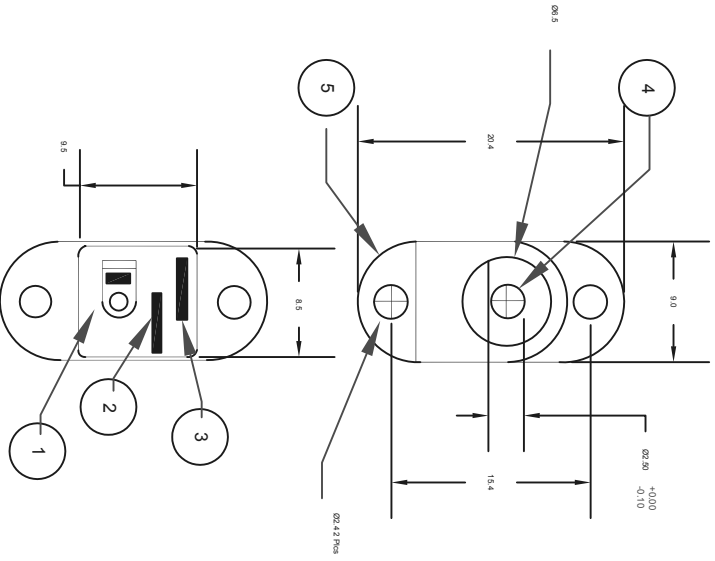
ALL RIGHTS RESERVED. NO PORTION OF THIS PUBLICATION, WHETHER IN WHOLE OR IN PART CAN BE REPRODUCED WITHOUT THE EXPRESS WRITTEN CONSENT OF SPC TECHNOLOGY.

SPC-F005.DWG

REVISIONS

DCP #	REV	DESCRIPTION	DRAWN	DATE	CHECKD	DATE	APPRVD	DATE
			VEE	13-08-10	JAG	19-08-10	XXX	27-08-10

DOC. NO. SPC-F005 * Effective: 7/8/02 * DCP No: 1398



Item	Description	Material/Finish
1	Pin Terminal	Brass, Silver Plated
2	Sleeve Shunt	Brass, Silver Plated
3	Sleeve Spring	Phosphor Bronze, Silver Plated
4	Pin	Brass, Nickel Plated
5	Housing	PBT UL94HB

Part Number Table

Description	Part Number
DC Power Jack	SPC21367

- Specifications:**
- Electrical:**
- Contact Rating: 5 at 16 VDC
 - Contact Resistance: 30 milliohms maximum.
 - Insulation Resistance: 100 Megohms minimum at 500 VDC
 - Dielectric Strength: 500 VAC
- Mechanical:**
- Insertion Force: 0.3-3.0 kg
 - Withdrawal Force: 0.3-3.0 kg
 - Operating Life: 5000 Insertion/withdrawal cycles
- Environmental:**
- Operating Temperature: -25°C to 70°C

DISCLAIMER:
ALL STATEMENTS AND TECHNICAL INFORMATION CONTAINED HEREIN ARE BASED UPON INFORMATION AND/OR TESTS WE BELIEVE TO BE ACCURATE AND RELIABLE. SINCE CONDITIONS OF USE ARE BEYOND OUR CONTROL, THE USER SHALL DETERMINE THE SUITABILITY OF THE PRODUCT FOR THE INTENDED USE AND ASSUME ALL RISK AND LIABILITY WHATSOEVER IN CONNECTION THEREWITH.

TOLERANCES:

UNLESS OTHERWISE SPECIFIED, DIMENSIONS ARE FOR REFERENCE PURPOSES ONLY.

DRAWN BY:

VEE

DATE:

13-08-10

DRAWING TITLE:

DC Power Jack

CHECKED BY:

JAG

DATE:

19-08-10

DWG. NO.:

XXX

ELECTRONIC FILE

84N1163

REV

A

APPROVED BY:

XXX

DATE:

27-08-10

SCALE:

NTS

U.O.M.: INCHES [mm]

SHEET:

1 OF 1