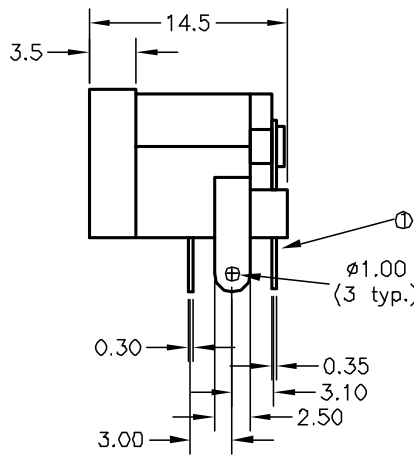
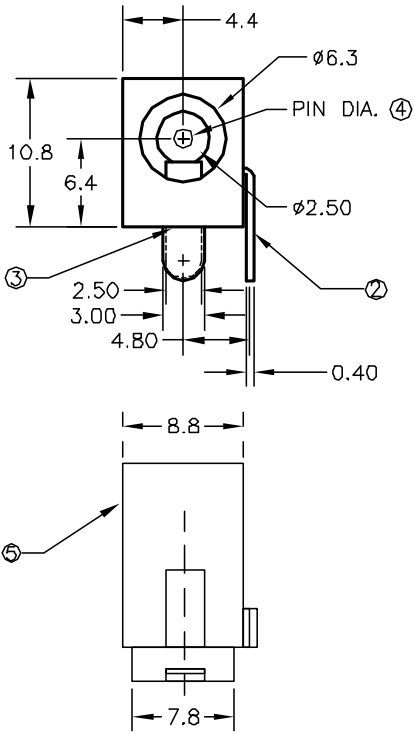


ALL RIGHTS RESERVED. NO PORTION OF THIS PUBLICATION, WHETHER IN WHOLE OR IN PART CAN BE REPRODUCED WITHOUT THE EXPRESS WRITTEN CONSENT OF SPC TECHNOLOGY.

DCP #		REV	DESCRIPTION	DRAWN	DATE	CHECKD	DATE	APPRVD	DATE
1996		A	RELEASED	JN	10/24/08	JWM	10/24/08	JWM	10/24/08

DOC. NO. SPC-F005 * Effective 12/21/08 * DCP No: 880



Specifications

ELECTRICAL

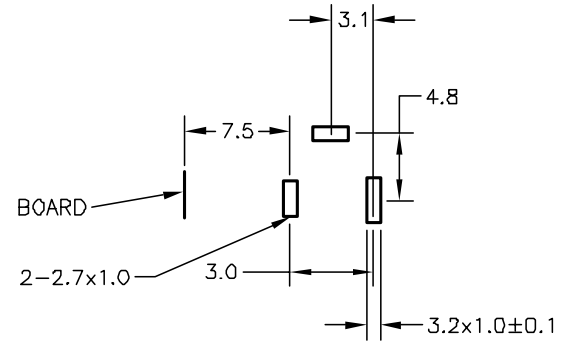
Contact rating: 5A @ 16VDC
 Contact Resistance: 30 milliohms Max.
 Insulation Resistance: 50 Megohms Min. at 500VDC
 Dielectric Strength: 500VAC

MECHANICAL

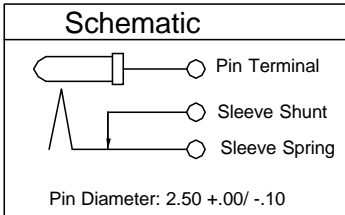
Insertion Force: 0.3 to 3.0 kg
 Withdrawal Force: 0.3 to 3.0 kg
 Operating Life: 5,000 cycles
 Operating Temperature: -25°C to +70°C



Item	Part	Material/Finish
1	Pin Terminal	Brass, Silver Plated
2	Sleeve Shunt	Brass, Silver Plated
3	Sleeve Spring	Manganese Bronze, Silver Plated
4	Pin	Brass, Tin Plated
5	Housing	PBT, UL94V-0, Black



P.C.B. LAYOUT



SPC-F005.DWG

DISCLAIMER:
 ALL STATEMENTS AND TECHNICAL INFORMATION CONTAINED HEREIN ARE BASED UPON INFORMATION AND/OR TESTS WE BELIEVE TO BE ACCURATE AND RELIABLE. SINCE CONDITIONS OF USE ARE BEYOND OUR CONTROL, THE USER SHALL DETERMINE THE SUITABILITY OF THE PRODUCT FOR THE INTENDED USE AND ASSUME ALL RISK AND LIABILITY WHATSOEVER IN CONNECTION THEREWITH.

UNLESS OTHERWISE SPECIFIED, DIMENSIONS ARE FOR REFERENCE PURPOSES ONLY.

DRAWN BY:	DATE:
Jason Nash	10/24/08
CHECKED BY:	DATE:
JWM	10/24/08
APPROVED BY:	DATE:
JWM	10/24/08

DRAWING TITLE:		POWER JACK	
SIZE	DWG. NO.	ELECTRONIC FILE	REV
A	SPC21365	11M0560.DWG	A
SCALE: NTS	U.Q.M.: mm	SHEET: 1 OF 1	



SPC TECHNOLOGY