



SPC  
TECHNOLOGY

ALL RIGHTS RESERVED. NO PORTION OF THIS PUBLICATION,  
WHETHER IN WHOLE OR IN PART CAN BE REPRODUCED  
WITHOUT THE EXPRESS WRITTEN CONSENT OF SPC  
TECHNOLOGY.  
SPC-F005.DWG

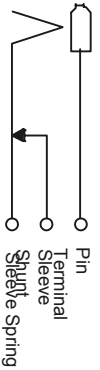
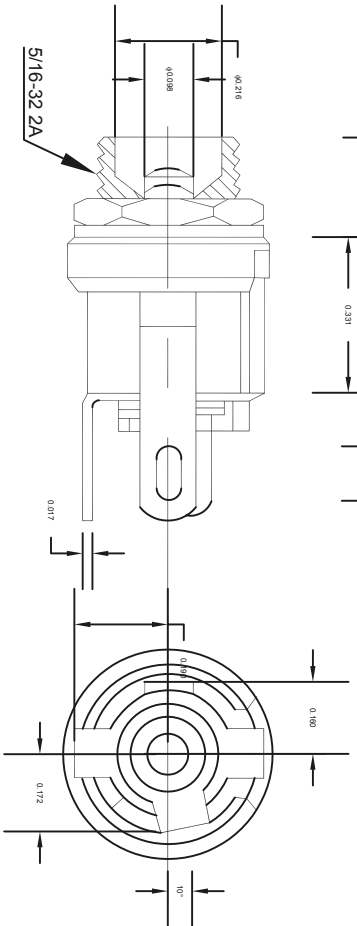
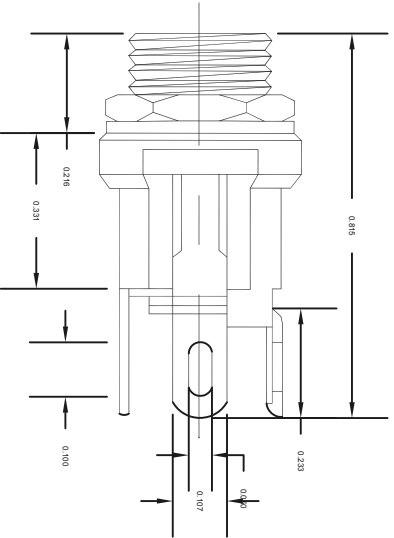
REVISIONS

DCP #	REV	DESCRIPTION	DRAWN	DATE	CHECKD	DATE	APPRVD	DATE
			Sidhu	23-08-10	Jagan	26-08-10	XXX	09-09-10

DOC. NO. SPC-F005 \* Effective: 7/8/02 \* DCP No: 1398



RoHS  
Compliant



- Specifications:**
- Center pin diameter : 0.100 inches
  - Terminal : Solder
  - Contact rating : 5A at 12 VDC
  - Contact resistance : 10 Milliohms max
  - Insulation resistance : 10000 Megohms min at 500 VDC
  - Dielectric Strength : 500 VAC
  - Mechanical operating life : 10000 insertion/withdrawal cycles.

Dimensions : Inches

Part Number Table

Description	Part Number
T-2 Miniature Bayonet Base Lamp	12RB

TOLERANCES:

UNLESS OTHERWISE SPECIFIED, DIMENSIONS ARE FOR REFERENCE PURPOSES ONLY.

DRAWN BY: Sidhu

DATE: 23-08-10

DRAWING TITLE: DC Power Jacks

SIZE: XXX

DWG. NO.: XXX

ELECTRONIC FILE: 84N1160

CHECKED BY: Jagan

DATE: 26-08-10

SCALE: NTS

U.O.M.: INCHES [mm]

APPROVED BY: XXX

DATE: 09-09-10

SHEET: 1 OF 1

DISCLAIMER:  
ALL STATEMENTS AND TECHNICAL INFORMATION CONTAINED  
HEREIN ARE BASED UPON INFORMATION AND/OR TESTS WE  
BELIEVE TO BE ACCURATE AND RELIABLE. SINCE THE  
CONDITIONS OF USE ARE BEYOND OUR CONTROL, THE  
USER SHALL DETERMINE THE SUITABILITY OF THE PRODUCT  
FOR THE INTENDED USE AND ASSUME ALL RISK AND  
LIABILITY WHATSOEVER IN CONNECTION THEREWITH.

REVISIONS

DCP #	REV	DESCRIPTION	DRAWN	DATE	CHECKD	DATE	APPRVD	DATE
			Sidhu	23-08-10	Jagan	26-08-10	XXX	09-09-10

DRAWING TITLE: DC Power Jacks

SIZE: XXX

DWG. NO.: XXX

ELECTRONIC FILE: 84N1160

CHECKED BY: Jagan

DATE: 26-08-10

SCALE: NTS

U.O.M.: INCHES [mm]