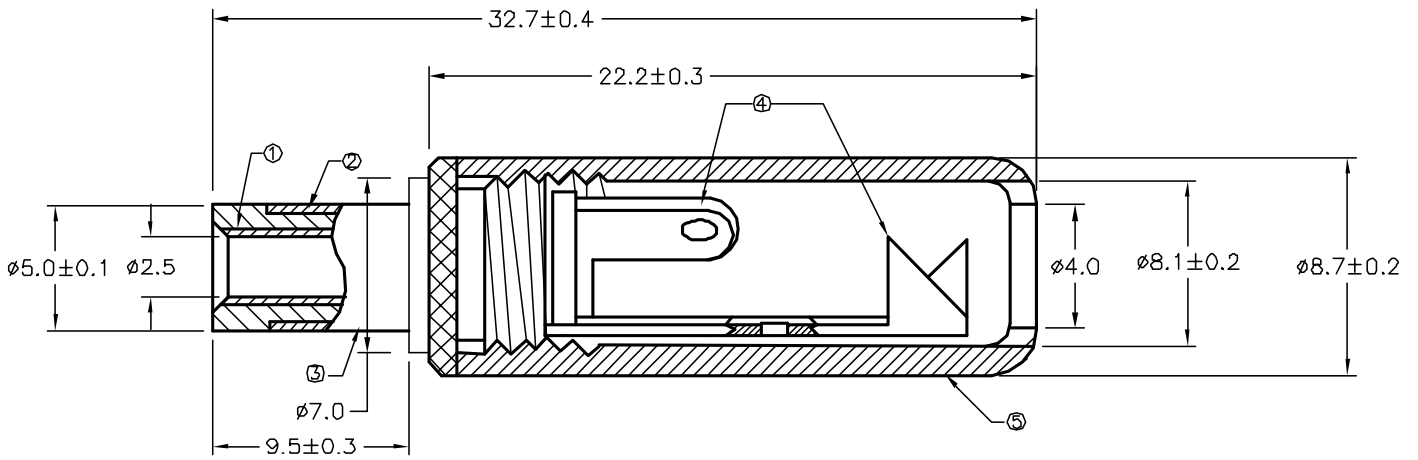


ALL RIGHTS RESERVED. NO PORTION OF THIS PUBLICATION, WHETHER IN WHOLE OR IN PART CAN BE REPRODUCED WITHOUT THE EXPRESS WRITTEN CONSENT OF SPC TECHNOLOGY.



REVISIONS				DOC. NO. SPC-F005 * Effective: 12/21/08 * DCP No: 880				
DCP #	REV	DESCRIPTION	DRAWN	DATE	CHECKD	DATE	APPRVD	DATE
1937	A	RELEASED	JWM	11/8/08	JN	06/03/08	JN	06/03/08



ITEM	DESCRIPTION	QTY	MATERIAL/FINISH
1	MOUNTING BUSHING	1	BRASS, NICKEL PLATED
2	INSULATION RING	1	POM PLASTIC
3	BODY	1	BRASS, NICKEL PLATED
4	TERMINAL	2	BRASS, NICKEL PLATED
5	CAP	1	ABS PLASTIC

**DISCLAIMER:**  
 ALL STATEMENTS AND TECHNICAL INFORMATION CONTAINED HEREIN ARE BASED UPON INFORMATION AND/OR TESTS WE BELIEVE TO BE ACCURATE AND RELIABLE. SINCE CONDITIONS OF USE ARE BEYOND OUR CONTROL, THE USER SHALL DETERMINE THE SUITABILITY OF THE PRODUCT FOR THE INTENDED USE AND ASSUME ALL RISK AND LIABILITY WHATSOEVER IN CONNECTION THEREWITH.



UNLESS OTHERWISE SPECIFIED, DIMENSIONS ARE FOR REFERENCE PURPOSES ONLY.

DRAWN BY:	DATE:
Jeff McVicker	3/31/99
CHECKED BY:	DATE:
Jason Nash	06/03/08
APPROVED BY:	DATE:
Jason Nash	06/03/08

DRAWING TITLE: DC Power Plug			
SIZE: A	DWG. NO.: SPC21361	ELECTRONIC FILE: 11M0556.dwg	REV: A
SCALE: NTS	U.O.M.: INCHES [mm]	SHEET: 1 OF 1	

SPC-F005.DWG