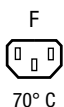


IEC Appliance Outlet F, Snap-in Mounting, Front Side, IDC Terminal

V-Lock

Arrangement "cross"
(wires cross to pin axis)Arrangement "along"
(wires along to pin axis)Arrangement "along", view from rear side
(wires along to pin axis)**Description**

- Panel Mount:
- Snap-in version, from front side
- Connector, Pin temperature 70 °C, Protection class I
- IDC terminals acc. to IEC 60998-2-3 for solid wires

Approvals

- VDE Certificate Number: 40021750
- UL File Number: E103791

Characteristics

- IDC technology for efficient and cost saving mounting
- Protection cover can be used as "wire press"
- Live contact available as IDC, solder or quick connect terminal
- Qualified for use in equipment according IEC/EN 60950

Other versions on request

- Screw-on mounting
- UL approval for AWG 16; Versions for other wire gauges
- Protection class II, 70°C

References**Weblinks**

[General Product Information](#), [Approvals](#), [RoHS](#), [CHINA-RoHS](#), [Mating Connectors](#), [e-Store](#), [SCHURTER-Stock-Check](#), [Distributor-Stock-Check](#), [Accessories](#)

Newly available variants corresponding to V-Lock mating cordset. The connector is equipped with a notch intended for use with the latching cordset. The cord latching system prevents against accidental removal of the cordset.

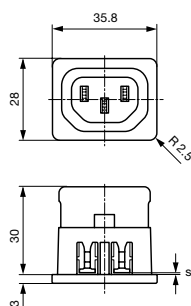
Technical Data

| | |
|---------------------------|---|
| Ratings IEC | 10A / 250VAC; 50Hz |
| Ratings UL/CSA | 15A / 250VAC; 60Hz |
| Allowable Operation Temp. | -25 °C to 70 °C |
| Degree of Protection | from front side IP 40 acc. to IEC 60529 |
| Protection Class | Suitable for appliances with protection class 1 acc. to IEC 61140 |
| Terminal | IDC terminals |
| Panel Thickness s | Snap-in, 0.8/1/1.2/1.5/2/2.5 mm (other on request) |
| Material: Housing | Thermoplastic, black, UL 94V-0 |

| | |
|------------------|---|
| Appliance Outlet | F acc. to IEC/EN 60320-2-2 UL 498, CSA C22.2 no. 42 (for cold conditions) pin-temperature 70 °C, 10A, Protection Class 1 |
|------------------|---|

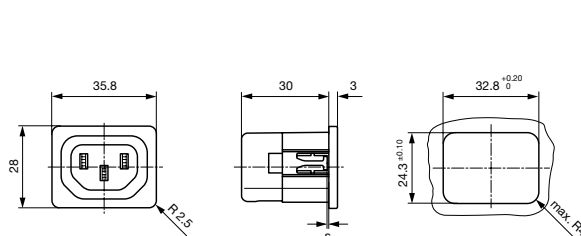
Dimensions

Version "cross" (wires cross to pin axis)
L/N/PE: IDC terminals

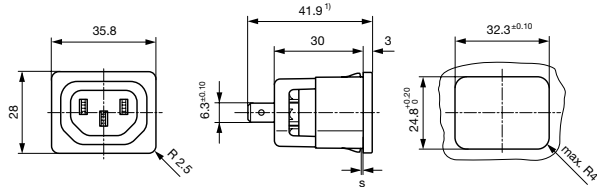


33 mm

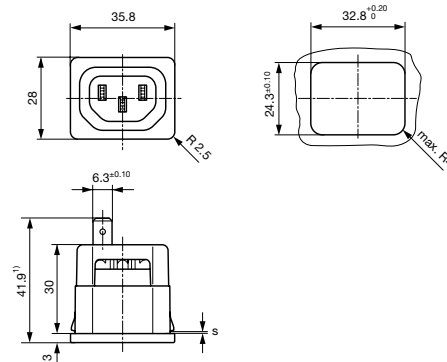
Version "along" (wires along to pin axis)
L/N/PE: IDC terminals



Version "cross" (wires cross to pin axis)
 N/PE: IDC terminals, L: quick connect or solder terminal



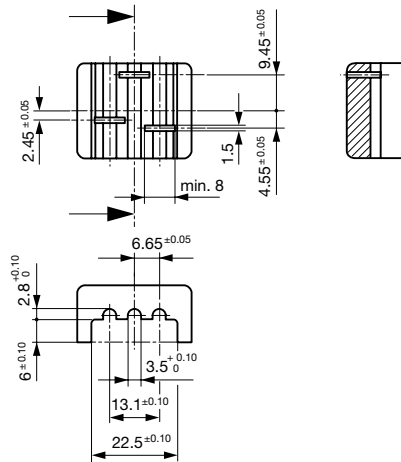
Version "along" (wires along to pin axis)
 N/PE: IDC terminals, L: quick connect or solder terminal



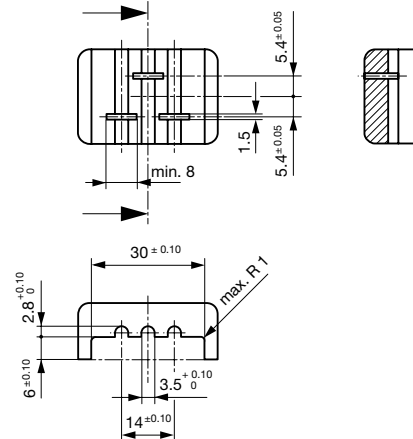
1) Other options:
 Quick connect terminal 4.8x0.8: 40.3 mm
 Solder terminal: 40.9 mm

Dimensions

Mounting tool version "cross"



Mounting tool version "along"



- The above mentioned dimensions are recommended when using an assembly tool.
- When using an assembly tool we recommend the above-mentioned dimensions.
- Use the cover or an assembly tool, to push the wires into the IDC terminals.
- The assembly force depends on the wire used and may require as much as 900 N.
- Press the wires into the IDC terminals until the wires touch with the plastic socket of the 6610 when using a tool.
- When using the cover be sure that it is properly mounted.
- The outer diameter of the wire (including insulation) must not exceed 3.3 mm.
- The correct installation of the wires is essential for proper function of the 6610 in the end equipment.

Variants

| Alignment ¹⁾ | Conductor cross section | Panel Thickness s [mm] | Terminal type live contact | Order Number |
|-------------------------|------------------------------|---------------------------|----------------------------|--------------|
| along | 1.0 - 1.5 mm ² | 1 | IDC terminals | 6610.3012 |
| along | 1.0 - 1.5 mm ² | 1.2 | IDC terminals | 6610.3013 |
| along | 1.0 - 1.5 mm ² | 1.5 | IDC terminals | 6610.3014 |
| along | 1.0 - 1.5 mm ² | 2 | IDC terminals | 6610.3015 |
| along | 1.0 - 1.5 mm ² | 2.5 | IDC terminals | 6610.3016 |
| along | 1.0 - 1.5 mm ² | 2.5 | IDC terminals | 6610.3016.03 |
| along | 1.0 - 1.5 mm ² | 3 | IDC terminals | 6610.3017 |
| along | 2.5 mm ² / 12 AWG | 0.8 | IDC terminals | 6610.1011 |
| along | 2.5 mm ² / 12 AWG | 1 | IDC terminals | 6610.1012 |
| along | 2.5 mm ² / 12 AWG | 1.2 | IDC terminals | 6610.1013 |
| along | 2.5 mm ² / 12 AWG | 1.5 | IDC terminals | 6610.1014 |

| Alignment ¹⁾ | Conductor cross section | Panel Thickness s [mm] | Terminal type live contact | Order Number |
|-------------------------|------------------------------|---------------------------|----------------------------------|--------------|
| along | 2.5 mm ² / 12 AWG | 2 | IDC terminals | 6610.1015 |
| along | 2.5 mm ² / 12 AWG | 2.5 | IDC terminals | 6610.1016 |
| along | 2.5 mm ² / 12 AWG | 3 | IDC terminals | 6610.1017 |
| along | 2.5 mm ² / 12 AWG | 1.5 | Quick connect terminal 6.3 x 0.8 | 6610.1254 |
| along | 2.5 mm ² / 12 AWG | 1.5 | Quick connect terminal 6.3 x 0.8 | 6610.1254.03 |
| along | 2.5 mm ² / 12 AWG | 1 | Solder | 6610.1152 |
| along | 2.5 mm ² / 12 AWG | 1.5 | Solder | 6610.1154 |
| cross | 1.0 - 1.5 mm ² | 1 | IDC terminals | 6610.4012 |
| cross | 1.0 - 1.5 mm ² | 1.2 | IDC terminals | 6610.4013 |
| cross | 1.0 - 1.5 mm ² | 1.5 | IDC terminals | 6610.4014 |
| cross | 1.0 - 1.5 mm ² | 2 | IDC terminals | 6610.4015 |
| cross | 1.0 - 1.5 mm ² | 2.5 | IDC terminals | 6610.4016 |
| cross | 1.0 - 1.5 mm ² | 3 | IDC terminals | 6610.4017 |
| cross | 2.5 mm ² / 12 AWG | 1 | IDC terminals | 6610.2012 |
| cross | 2.5 mm ² / 12 AWG | 1.2 | IDC terminals | 6610.2013 |
| cross | 2.5 mm ² / 12 AWG | 1.5 | IDC terminals | 6610.2014 |
| cross | 2.5 mm ² / 12 AWG | 2 | IDC terminals | 6610.2015 |
| cross | 2.5 mm ² / 12 AWG | 2.5 | IDC terminals | 6610.2016 |
| cross | 2.5 mm ² / 12 AWG | 3 | IDC terminals | 6610.2017 |
| cross | 2.5 mm ² / 12 AWG | 1.5 | Quick connect terminal 6.3 x 0.8 | 6610.2254 |
| cross | 2.5 mm ² / 12 AWG | 1.5 | Solder | 6610.2154 |

Articles for 1-1.5mm² only with ENEC approval. Outer diameter of wire (including insulation) max. 3.3 mm.

1) The alignment describes whether the wires are along or across to the connector pin axis.

".03" corresponds to the version with V-Lock mating cordset. The connector is equipped with a notch intended for use with the latching cordset. The cord latching system prevents against accidental removal of the cordset.

Packaging unit 50 Pcs

Accessories

Description



Cord retaining kits
Cord retaining strain relief

| | |
|--------------|-----------|
| Flat head, E | 4700.0005 |
| Flat head, G | 4700.0007 |

Mating Inlets/Plugs

Category / Description

[Interconnection CordOverview complete](#)



| | |
|--|------|
| Interconnection Cord with IEC Plug E, Angled | 0607 |
| Interconnection Cord with IEC Plug E, Angled | 0608 |
| Interconnection Cord with IEC Plug E, Straight | 0609 |
| Interconnection Cord with IEC Plug G, Angled | 607B |
| Interconnection Cord with IEC Plug G, Angled | 608B |
| Interconnection Cordfurther types to6610 | ... |

PlugOverview complete



| | |
|---|------|
| IEC Plug E, Cord Connector (Rewireable), Straight, max. cable Diameter 8.5 mm | 4732 |
| IEC Plug E, Cord Connector (Rewireable), Angled, max. Cable Diameter 10 mm | 4733 |
| IEC Plug E, Cord Connector (Rewireable), Straight, max. Cable Diameter 10 mm | 4735 |
| IEC Plug E, Cord Connector (Rewireable), Angled, max. Cable Diameter 10 mm | 4736 |
| IEC Plug E, Cord Connector (Rewireable), Straight | 9009 |

[Plugfurther types to6610](#)

...