




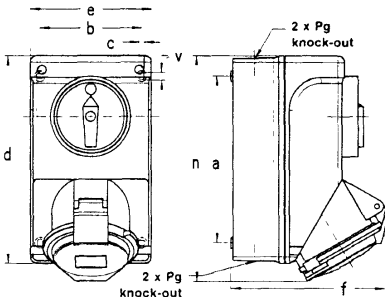

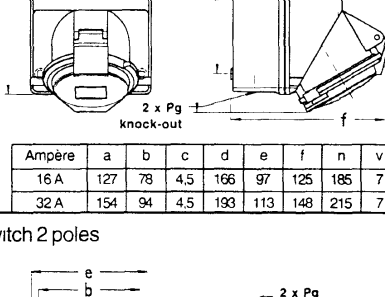


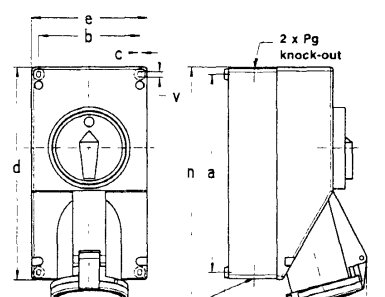

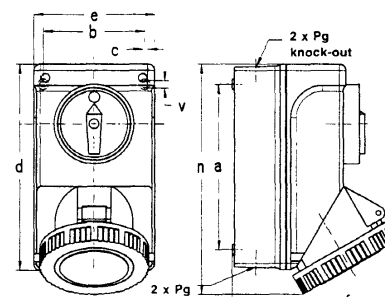

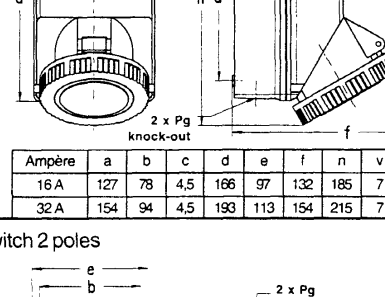

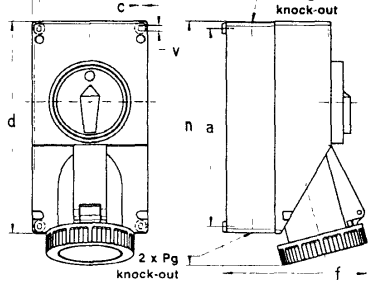


Amp	Volt	Hz	IP Ident. colour +h	Part No.	Wall socket outlets with switch	2 P +  IEC/EN 60 309	 	EAN No. 4015609...																														
				with double interlocking, switch 2 poles																																		
16	230	50/60	6	531 23 16	 	<table border="1"> <thead> <tr> <th>Ampère</th> <th>a</th> <th>b</th> <th>c</th> <th>d</th> <th>e</th> <th>f</th> <th>n</th> <th>v</th> <th>Pg</th> </tr> </thead> <tbody> <tr> <td>16 A</td> <td>127</td> <td>78</td> <td>4.5</td> <td>166</td> <td>97</td> <td>125</td> <td>185</td> <td>7</td> <td>16</td> </tr> <tr> <td>32 A</td> <td>154</td> <td>94</td> <td>4.5</td> <td>193</td> <td>113</td> <td>148</td> <td>215</td> <td>7</td> <td>21</td> </tr> </tbody> </table>	Ampère	a	b	c	d	e	f	n	v	Pg	16 A	127	78	4.5	166	97	125	185	7	16	32 A	154	94	4.5	193	113	148	215	7	21	1	039562
	Ampère	a	b	c			d	e	f	n	v	Pg																										
	16 A	127	78	4.5			166	97	125	185	7	16																										
32 A	154	94	4.5	193	113	148	215	7	21																													
110	50/60	4	531 23 14	796	039555																																	
400	50/60	9	531 23 19	039579																																		
32	230	50/60	6	531 23 36	 	<table border="1"> <thead> <tr> <th>Ampère</th> <th>a</th> <th>b</th> <th>c</th> <th>d</th> <th>e</th> <th>f</th> <th>n</th> <th>v</th> <th>Pg</th> </tr> </thead> <tbody> <tr> <td>16 A</td> <td>127</td> <td>78</td> <td>4.5</td> <td>166</td> <td>97</td> <td>125</td> <td>185</td> <td>7</td> <td>16</td> </tr> <tr> <td>32 A</td> <td>154</td> <td>94</td> <td>4.5</td> <td>193</td> <td>113</td> <td>148</td> <td>215</td> <td>7</td> <td>21</td> </tr> </tbody> </table>	Ampère	a	b	c	d	e	f	n	v	Pg	16 A	127	78	4.5	166	97	125	185	7	16	32 A	154	94	4.5	193	113	148	215	7	21	1	039609
	Ampère	a	b	c			d	e	f	n	v	Pg																										
	16 A	127	78	4.5			166	97	125	185	7	16																										
32 A	154	94	4.5	193	113	148	215	7	21																													
110	50/60	4	531 23 34	1039	039593																																	
400	50/60	9	531 23 39	039616																																		
				with double interlocking, switch 2 poles																																		
63	230	50/60	6	531 23 66	 	<table border="1"> <thead> <tr> <th>Ampère</th> <th>a</th> <th>b</th> <th>c</th> <th>d</th> <th>e</th> <th>f</th> <th>n</th> <th>v</th> <th>Pg</th> </tr> </thead> <tbody> <tr> <td>63 A</td> <td>245</td> <td>125</td> <td>5.2</td> <td>263</td> <td>143</td> <td>172</td> <td>293</td> <td>7</td> <td>29</td> </tr> </tbody> </table>	Ampère	a	b	c	d	e	f	n	v	Pg	63 A	245	125	5.2	263	143	172	293	7	29	1	039630										
	Ampère	a	b	c			d	e	f	n	v	Pg																										
	63 A	245	125	5.2			263	143	172	293	7	29																										
110	50/60	4	531 23 64	2482	039623																																	
400	50/60	9	531 23 69	039647																																		
16	230	50/60	6	531 33 16	 	<table border="1"> <thead> <tr> <th>Ampère</th> <th>a</th> <th>b</th> <th>c</th> <th>d</th> <th>e</th> <th>f</th> <th>n</th> <th>v</th> <th>Pg</th> </tr> </thead> <tbody> <tr> <td>16 A</td> <td>127</td> <td>78</td> <td>4.5</td> <td>166</td> <td>97</td> <td>132</td> <td>185</td> <td>7</td> <td>16</td> </tr> <tr> <td>32 A</td> <td>154</td> <td>94</td> <td>4.5</td> <td>193</td> <td>113</td> <td>154</td> <td>215</td> <td>7</td> <td>21</td> </tr> </tbody> </table>	Ampère	a	b	c	d	e	f	n	v	Pg	16 A	127	78	4.5	166	97	132	185	7	16	32 A	154	94	4.5	193	113	154	215	7	21	1	039944
	Ampère	a	b	c			d	e	f	n	v	Pg																										
	16 A	127	78	4.5			166	97	132	185	7	16																										
32 A	154	94	4.5	193	113	154	215	7	21																													
110	50/60	4	531 33 14	845	133116																																	
400	50/60	9	531 33 19	166251																																		
32	230	50/60	6	531 33 36	 	<table border="1"> <thead> <tr> <th>Ampère</th> <th>a</th> <th>b</th> <th>c</th> <th>d</th> <th>e</th> <th>f</th> <th>n</th> <th>v</th> <th>Pg</th> </tr> </thead> <tbody> <tr> <td>16 A</td> <td>127</td> <td>78</td> <td>4.5</td> <td>166</td> <td>97</td> <td>132</td> <td>185</td> <td>7</td> <td>16</td> </tr> <tr> <td>32 A</td> <td>154</td> <td>94</td> <td>4.5</td> <td>193</td> <td>113</td> <td>154</td> <td>215</td> <td>7</td> <td>21</td> </tr> </tbody> </table>	Ampère	a	b	c	d	e	f	n	v	Pg	16 A	127	78	4.5	166	97	132	185	7	16	32 A	154	94	4.5	193	113	154	215	7	21	1	134267
	Ampère	a	b	c			d	e	f	n	v	Pg																										
	16 A	127	78	4.5			166	97	132	185	7	16																										
32 A	154	94	4.5	193	113	154	215	7	21																													
110	50/60	4	531 33 34	1066	166268																																	
400	50/60	9	531 33 39	166275																																		
63	230	50/60	6	531 33 66	 	<table border="1"> <thead> <tr> <th>Ampère</th> <th>a</th> <th>b</th> <th>c</th> <th>d</th> <th>e</th> <th>f</th> <th>n</th> <th>v</th> <th>Pg</th> </tr> </thead> <tbody> <tr> <td>63 A</td> <td>245</td> <td>125</td> <td>5.2</td> <td>265</td> <td>143</td> <td>180</td> <td>300</td> <td>7</td> <td>29</td> </tr> </tbody> </table>	Ampère	a	b	c	d	e	f	n	v	Pg	63 A	245	125	5.2	265	143	180	300	7	29	1	174034										
	Ampère	a	b	c			d	e	f	n	v	Pg																										
	63 A	245	125	5.2			265	143	180	300	7	29																										
110	50/60	4	531 33 64	2533	039951																																	
400	50/60	9	531 33 69	166282																																		