

2



Ampère	Poles	110 V 50 a. 60 Hz	230 V 50 a. 60 Hz	400 V 50 a. 60 Hz	500 V 50 a. 60 Hz	> 50 - 500 V 100 - 300 Hz	> 50 - 500 V over 300 - 500 Hz
		3pole 4h, 4pole 4h, pole 4h	3pole 6h, 4pole 9h, 5pole 9h	3pole 9h, 4pole 6h, 5pole 6h	3pole 7h, 4pole 7h, 5pole 7h	3pole 10h, 4pole 10h, 5pole 10h	3pole 2h, 4pole 2h, 5pole 2h



Part numbers



16	3	216 304	216 306	216 309				10	106
16	4	216 404	216 409	216 406	216 407	216 410	216 402	10	150
16	5	216 504	216 509	216				10/60	163
32	3	236 304	236 306	236 309				10	214
32	4	236 404	236 409	236 406	236 407	236 410	236 402	10	230
32	5	236 504	236 509	236				10	251

236 **mondo plugs** Δ IP 44, angled, back part RAL 7035 light grey



230 PH

16	5			210 PH				10	180
16	5			210 PHNI	(with nickel plated contacts + glass-fibre reinforced enclosure)			10	183
32	5			230 PH				10	257
32	5			230 PHNI	(with nickel plated contacts + glass-fibre reinforced enclosure)			10	264

Phase inverters Δ IP 44, with flexible cable entry



231 PH

16	5			211 PH				10	174
16	5			211 PHNI	(with nickel plated contacts + glass-fibre reinforced enclosure)			10	180
32	5			231 PH				10	245
32	5			231 PHNI	(with nickel plated contacts + glass-fibre reinforced enclosure)			10	257

Phase inverters Δ IP 44, with gland entry



230DF

16	4			210 406 DF	for voltage ranges of 110 V - 690 V			10	144
16	5			210 DF				10	173
32	4			230 406 DF				10	198
32	5			230 DF				10	241
63	4			260 406 DF				10	603
63	5			260 DF				5	685

Phase sequence control plugs Δ IP 44



gland entry
219306



cable gland
239
new design

16	3	219 304	219 306	219 309	(with gland entry and screw terminals)			10	133
----	---	---------	----------------	---------	--	--	--	----	-----

All red marked plugs come with new design and cable gland. Additionally these are also available as **screwless version** with IDC insulation displacement connection. To order a plug as screwless version, just add „SL“ to the part number, e.g. 219SL.

16	4	219 404	219 409	219 406	219 407	219 410	219 402	10	212
16	5	219 504	219 509	219				10	236
32	3	239 304	239 306	239 309				10	290
32	4	239 404	239 409	239 406	239 407	239 410	239 402	10	300
32	5	239 504	239 509	239				10	340

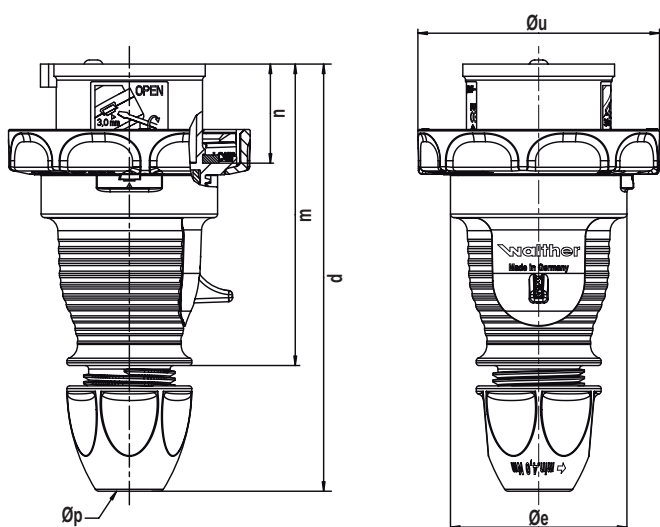
Plugs \blacktriangledown IP 67, with screw terminals or as screwless SL version with insulation displacement technique



269

16	5			219 NI				10	199
32	5			239 NI	(with nickel plated contacts and glass-fibre reinforced enclosure)			10	286
63	5			269 NI				5	771
125	5			279 NI				2	1473
63	3	269 304	269 306	269 309				5	501
63	4	269 404	269 409	269 406	269 407	269 410	269 402	5	623
63	5	269 504	269 509	269				5	668
125	3	279 304	279 306	279 309				2	1185
125	4	279 404	279 409	279 406	279 407	279 410	279 402	2	1329
125	5	279 504	279 509	279				2	1473

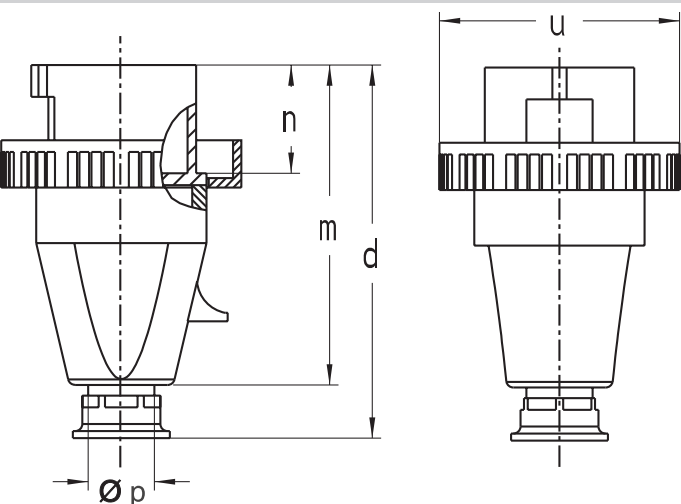
Plugs \blacktriangledown IP 67, with gland entry



Amp.	16	16	32	32
Poles	4	5	3 / 4	5
d	150-161	150-161	174-183	174-183
Ø e	Ø 65	Ø 65	Ø 72	Ø 72
m	111	111	127	127
n	36.5	36.5	45.5	45.5
Ø u	Ø 81	Ø 89	Ø 95	Ø 100
Ø p	7.5 / 19.5	7.5 / 19.5	9.6 / 24.5	9.6 / 24.5

Page 14, item 5b

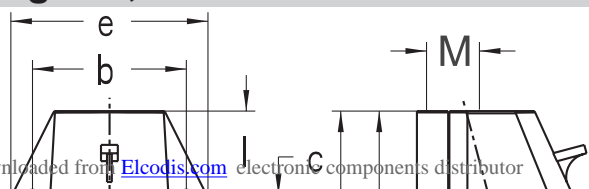
219, 239 etc. (red part nos.)



Amp.	16	32	63			125		
Poles	5	5	3	4	5	3	4	5
d	139	166	243	243	243	315	315	315
m	114	135	195	195	195	258	258	258
n	37	46	67	67	67	75.5	75.5	75.5
u	88	103	110	110	110	130	130	130
Øp	10-19.5	18-24.5	18-35	18-35	18-35	24-45	24-45	24-45

Page 14, item 6

219 NI, 239 NI, 269, 279 etc.



Amp.	16			32		
Poles	3	4	5	3	4	5