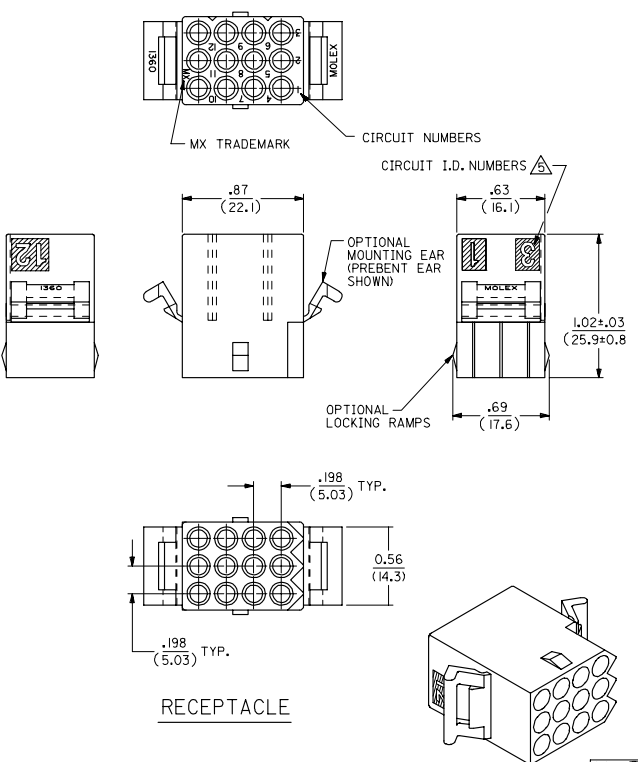


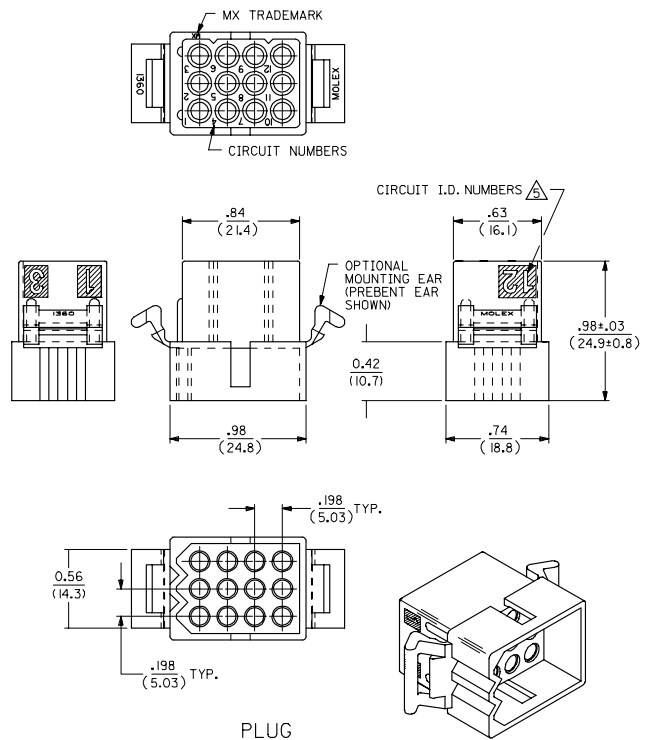
13 12 11 10 9 8 7 6 5 4 3 2 1

J
I
H
G
F
E
D
C
B
A

J
I
H
G
F
E
D
C
B
A



RECEPTACLE



PLUG

UPDATE TITLE BLOCK EC NO: UCP2006-0080 DRAWN: JUNE 2005/07/20 CHKD: 2005/07/20 APPR: SMITH 2005/07/21 REV DESCRIPTION	QUALITY SYMBOLS	GENERAL TOLERANCES (UNLESS SPECIFIED)	DIMENSION STYLE IN/MM	SCALE 2:1	DESIGN UNITS INCH	THIRD ANGLE PROJECTION	
	▽=0	4 PLACES ± .005 ± .005	DRAWN BY DATE KBW 3/11/89	TITLE	.093/(2.36) HOUSINGS PLUG AND RECEPTACLE 12 CKT, .198/(5.03)CTR.		
	▽=0	3 PLACES ± .010 ± .010	CHECKED BY DATE RW 3/11/89	MOLEX INCORPORATED			
		2 PLACES ± .025 ± .014	APPROVED BY DATE RAS 3/11/89	MATERIAL NO. SEE CHART	DOCUMENT NO. SD-1360-*	SHEET NO. 1 OF 2	
		1 PLACE ± 0.35 ± .005	DRAFT WHERE APPLICABLE MUST REMAIN WITHIN DIMENSIONS				THIS DRAWING CONTAINS INFORMATION THAT IS PROPRIETARY TO MOLEX INCORPORATED AND SHOULD NOT BE USED WITHOUT WRITTEN PERMISSION

2	AE1
1	AE1
SHT/REV	

12 11 10 9 8 7 6 5 4 3 2 1

