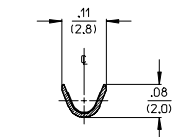
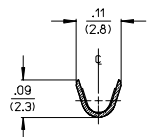
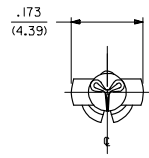


PART NO.	ENG. NO.
02-09-2136	2870-(P90I)
02-09-2137	2870-(P90I)DL
02-09-2138	2870-(P90I)I

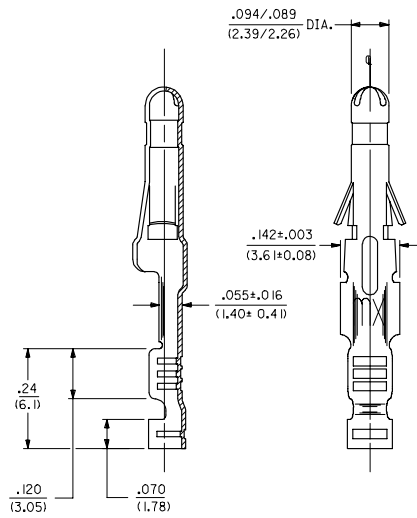
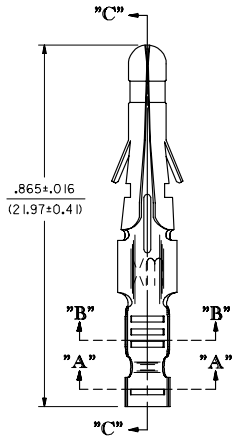


SECTION "A-A"

SECTION "B-B"

LEGEND

2870-(****)*
 P = PREPLATE
 BLANK = POSTPLATE
 FORM
 BLANK = CHAIN
 L = LOOSE
 I = WITH PAPER INTERLEAF
 FINISH CODE (SEE NOTE 2)



SECTION "C-C"

- NOTES:
1. MATERIAL: CARTRIDGE BRASS
 2. FINISH:
901 - HOT TIN DIP .000020/(0.00051) MIN.
 3. PRODUCT SPECIFICATION: PS-02-09
 4. TERMINAL FOR USE WITH .093/(2.36) SERIES HOUSINGS AND WILL ACCEPT 22 THRU 24 AWG WIRE.
 5. INSERTION FORCE: 3.5 LBS. MAX. WHEN TERMINAL IS INSERTED INTO AN .093/(2.36) SERIES HOUSING.
 6. RETENTION: 20 LBS. MIN. FROM HOUSING.

CORRECT DIMS. LEC NO: UCP2005-2499 DRAWN: JONE 2005/07/06 CHKD: ADER 2005/07/13 APPR: SMITH 2005/07/14	QUALITY SYMBOLS ▽=0 ▽=0	GENERAL TOLERANCES (UNLESS SPECIFIED)		DIMENSION STYLE IN/MM		SCALE 6:1	DESIGN UNITS INCH	THIRD ANGLE PROJECTION
		4 PLACES ± --- ± ---	3 PLACES ± --- ± .010	2 PLACES ± 0.25 ± .014	1 PLACE ± 0.35 ± ---	ANGULAR ±1/2°	DRAWN BY SWC	DATE 6/12/92
REV B1	DESCRIPTION	DRAFT WHERE APPLICABLE MUST REMAIN WITHIN DIMENSIONS		MATERIAL NO. SEE CHART		DOCUMENT NO. SD-2870-*		SHEET NO. 1 OF 1
THIS DRAWING CONTAINS INFORMATION THAT IS PROPRIETARY TO MOLEX INCORPORATED AND SHOULD NOT BE USED WITHOUT WRITTEN PERMISSION								