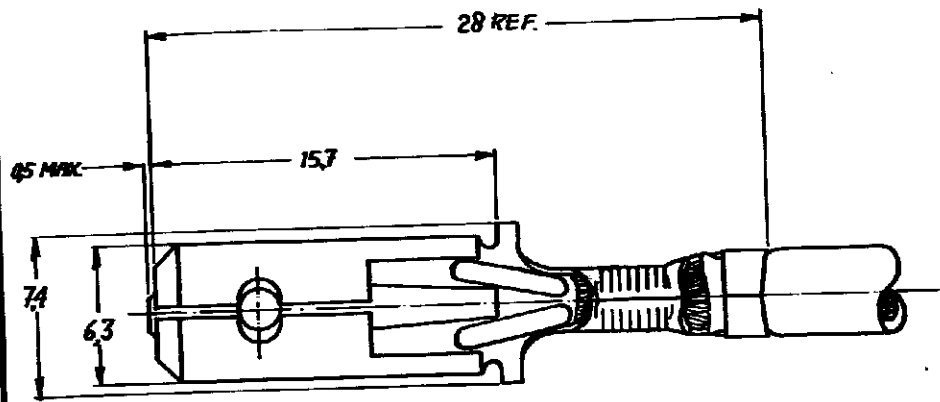


DRAWING MADE IN AMERICAN PROJECTION

LTR	REVISION RECORD	DR.	DATE
C1	REVISED PER ECO-11-005294	RK	07APR11

PART NUMBER
C-160691-E



NOTE
1 FOR USE ON MINIATURE APPLICATOR (LEFT-RIGHT FEED)
A MPO-MATOR APPLICATION.

DIMENSIONS IN MM. DO NOT SCALE PRINT

160691-5	BRASS	SILVER PL
160691-4	PHIBRONZE	TIN PLATED
160691-3	PHIBRONZE	UNPLATED
160691-2	BRASS	TIN PLATED
160691-1	BRASS	UNPLATED
ORDER NO.	MATERIAL	PLATING
DR. <i>R. Visser</i>	DATE <i>7/3/70</i>	DE <i>C. J. Brown</i>
CHK	DATE	APP

CUSTOMER COPY FOR REFERENCE ONLY

WIRE RANGE	INDUL. RANGE	FIRST USED
03-08 M.M. ²	22-32 DIA.	
SCALE	LOC	SIZE
4=1	H	A
PART NO. C-160691-E		REV C1
NAME 250SER.FASTIN FASTON TAB acc. to DIN		