

4

3

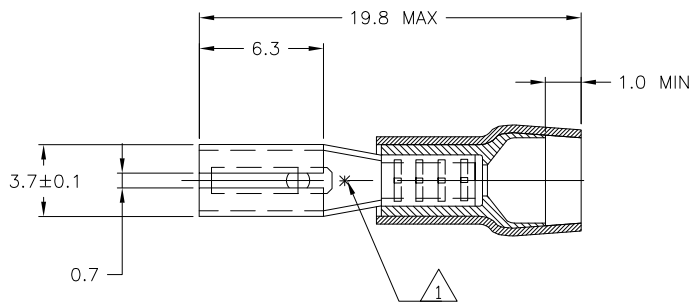
2

1

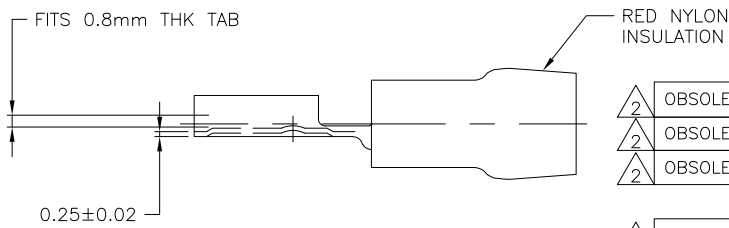
THIS DRAWING IS UNPUBLISHED. RELEASED FOR PUBLICATION  
 © COPYRIGHT - By - ALL RIGHTS RESERVED.

LOC	DIST	REVISIONS			
P	LTR	DESCRIPTION	DATE	DWN	APVD
G	02				
	J3	REVISED PER ECO-11-004820	11MAR11	RK	HMR

<b>AMP</b> WIRE RANGE	<b>AMP</b> INSULATION RANGE
22-16 AWG 0.3-1.5 mm <sup>2</sup>	.140 MAX DIA 3.5 MAX DIA



- △1 ASTERISK \* FOR PHOS BRONZE VERSION ONLY
- △2 OBSOLETE W/O REPLACEMENT



△2	OBSOLETE	TIN-LEAD	PHOS BRONZE	165566-7
△2	OBSOLETE	GOLD	PHOS BRONZE	165566-6
△2	OBSOLETE	GOLD	BRASS	165566-5
		SILVER	PHOS BRONZE	165566-4
△2	OBSOLETE	SILVER	BRASS	165566-3
	2-165566-2	TIN	PHOS BRONZE	165566-2
	2-165566-1	TIN	BRASS	165566-1
	PN ON TAPE	FINISH	MATERIAL	PART NUMBER

THIS DRAWING IS A CONTROLLED DOCUMENT.

DWN jr_ruth 15APROS	<b>TE</b> TE Connectivity		
CHK T MICHELUTTI 15APROS	NAME		
APVD T MICHELUTTI 15APROS	RECEPTACLE, FASTON, PIDG, .110 SERIES		
PRODUCT SPEC	SIZE	CAGE CODE	DRAWING NO
APPLICATION SPEC	A3	00779	C-165566
WEIGHT	RESTRICTED TO		
CUSTOMER DRAWING	SCALE	SHEET	REV
	1:1	1 OF 1	J3