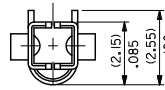
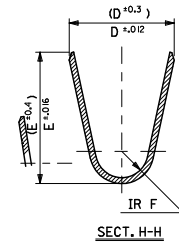
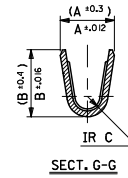
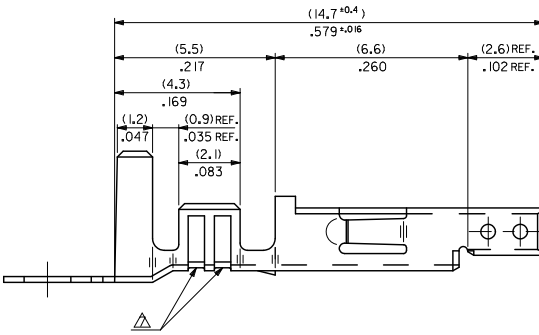
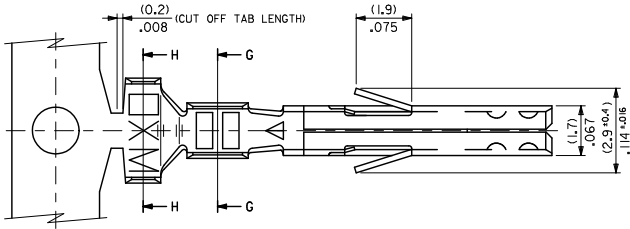


NOTES

1. MATERIAL: SEE CHART.
2. FINISH: SEE CHART.
3. PRODUCT SPECIFICATION: PS-5556-001, PS-5556-002, PS-5556-003.
4. PACKAGING SPECIFICATION: PK-5556-001 FOR CHAIN TERMINALS.
PK-5556-003 FOR LOOSE TERMINALS.
5. MATES WITH: 5558, 5566, 5569, 30069, 30070, 42440, 42404, 43879, 43810, 44068.
6. APPLICABLE HOUSING: 5557, 30067, 44516, OR 42474.
7. THE NUMBER OF SERRATIONS TO BE ONE FOR WIRE RANGE #22-28.
8. WHEN TERMINALS ARE INSTALLED IN THE HOUSING THE WIRES ARE TO BE DRESSED IN SUCH A MANNER TO ALLOW THE TERMINALS TO FLOAT FREELY IN THE POCKET.
9. THIS TERMINAL IS DESIGNED FOR SINGLE WIRE CRIMPING.
10. PART CONFORMS TO CLASS "B" REQUIREMENTS OF COSMETIC SPECIFICATION PS-45499-002.



ADD NOTES EC NO. UCP200-2205 DRAWN: JAGUILAR 2010/03/01 CHKD: 2010/03/01 APPR: SMITH 2010/04/09	QUALITY SYMBOLS □=0 ▽=0 ▽=0	GENERAL TOLERANCES (UNLESS SPECIFIED)		DIMENSION STYLE MM/IN	SCALE 10:1	DESIGN UNITS METRIC	THIRD ANGLE PROJECTION			
		4 PLACES ±.008 ±.008	3 PLACES ±.008 ±.008	2 PLACES ±0.2 ±.008	1 PLACE ±0.2 ±.008	ANGULAR ± 3°	DRAWN BY H-HIRAMOTO	DATE 1991/5/18	TITLE MINI FIT JR OVERALL TIN FEMALE CRIMP TERMINAL	
		DRAFT WHERE APPLICABLE MUST REMAIN WITHIN DIMENSIONS		SEE CHART	SD-5556****	SHEET NO. 1 OF 2	CHECKED BY M. FUKUSHIMA	DATE 1998/11/09	APPROVED BY H.M. KUNISHI	DATE 00/08/01/09
		MATERIAL NO. SD-5556****		DOCUMENT NO. SD-5556****		MOLEX INCORPORATED				

10 9 8 7 6 5 4 3 2 1

TIN OVER NICKEL PLATED PHOSPHOR BRONZE	(0.9) .035	(4.5) .177	(3.6) .142	(0.6) .024	(2.7) .106	(2.3) .091	∅ (3.1) .122 MAX.	#16	39-00-0119	5556 PBS3L	LOOSE CHAIN
	(0.6) .024	(2.3) .091	(2.3) .091	(0.4) .016	(1.65) .065	(1.8) .071	∅ (0.9-1.8) .035-.071	#22-28	-0118	PBS3	LOOSE CHAIN
	(0.9) .035	(4.5) .177	(3.6) .142	(0.5) .020	(2.3) .091	(1.9) .075	∅ (1.3-3.1) .051-.122	#18-24	-0117	PBS2L	LOOSE CHAIN
TIN PLATED PHOSPHOR BRONZE	(0.9) .035	(4.5) .177	(3.6) .142	(0.6) .024	(2.7) .106	(2.3) .091	∅ (3.1) .122 MAX.	#16	-0116	PBS2	LOOSE CHAIN
	(0.6) .024	(2.3) .091	(2.3) .091	(0.4) .016	(1.65) .065	(1.8) .071	∅ (0.9-1.8) .035-.071	#22-28	-0115	PBSL	LOOSE CHAIN
	(0.9) .035	(4.5) .177	(3.6) .142	(0.5) .020	(2.3) .091	(1.9) .075	∅ (1.3-3.1) .051-.122	#18-24	-0114	PBS	LOOSE CHAIN
TIN OVER NICKEL PLATED BRASS	(0.9) .035	(4.5) .177	(3.6) .142	(0.6) .024	(2.7) .106	(2.3) .091	∅ (3.1) .122 MAX.	#16	-0080	PBT3L	LOOSE CHAIN
	(0.6) .024	(2.3) .091	(2.3) .091	(0.4) .016	(1.65) .065	(1.8) .071	∅ (0.9-1.8) .035-.071	#22-28	-0079	PBT3	LOOSE CHAIN
	(0.9) .035	(4.5) .177	(3.6) .142	(0.5) .020	(2.3) .091	(1.9) .075	∅ (1.3-3.1) .051-.122	#18-24	-0066	PBT2L	LOOSE CHAIN
TIN OVER COPPER PLATED BRASS	(0.9) .035	(4.5) .177	(3.6) .142	(0.6) .024	(2.7) .106	(2.3) .091	∅ (3.1) .122 MAX.	#16	-0065	PBT2	LOOSE CHAIN
	(0.6) .024	(2.3) .091	(2.3) .091	(0.4) .016	(1.65) .065	(1.8) .071	∅ (0.9-1.8) .035-.071	#22-28	-0060	PBTL	LOOSE CHAIN
	(0.9) .035	(4.5) .177	(3.6) .142	(0.5) .020	(2.3) .091	(1.9) .075	∅ (1.3-3.1) .051-.122	#18-24	-0059	PBT	LOOSE CHAIN
MATERIAL	F	E	D	C	B	A	INS. RANGE	WIRE RANGE	EDP NO.	ENG. NO.	FORM

SEE SHEET 1 EC NO: UCP2010-2205 DRWN: JAGUILAR CHKD: IRELL APPR: SMITH 2010/03/01 2010/03/01 2010/04/09 DESCRIPTION REV	QUALITY SYMBOLS	GENERAL TOLERANCES (UNLESS SPECIFIED)	DIMENSION STYLE	SCALE	DESIGN UNITS	THIRD ANGLE PROJECTION
	∇=0	(mm) INCH	MM/IN	---	METRIC	
	∇=0	4 PLACES ± --- ± ---	DRAWN BY DATE	TITLE		
	∇=0	3 PLACES ± --- ± .008	H.HIRAMOTO 1991/5/18	MINI FIT JR OVERALL TIN FEMALE CRIMP TERMINAL		
	2 PLACES ± 0.2 ± .008	CHECKED BY DATE	MOLEX INCORPORATED			
	1 PLACE ± 0.2 ± ---	M. FUKUSHIMA 1998/11/19	SD-5556****			
	ANGULAR ± ---	APPROVED BY DATE	SHEET NO.			
		FSHI HUNISHI 2010/04/09	2 OF 2			
		MATERIAL NO.	DOCUMENT NO.			
			THIS DRAWING CONTAINS INFORMATION THAT IS PROPRIETARY TO MOLEX INCORPORATED AND SHOULD NOT BE USED WITHOUT WRITTEN PERMISSION			