



SPC  
TECHNOLOGY

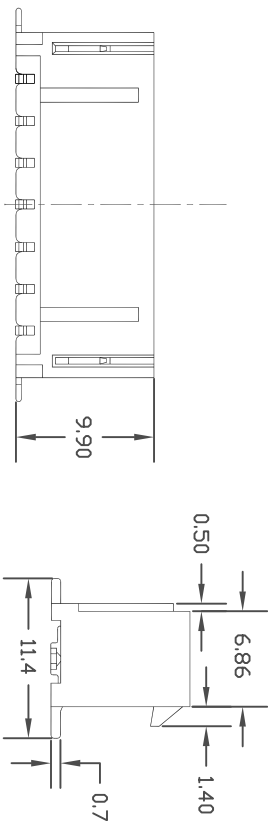
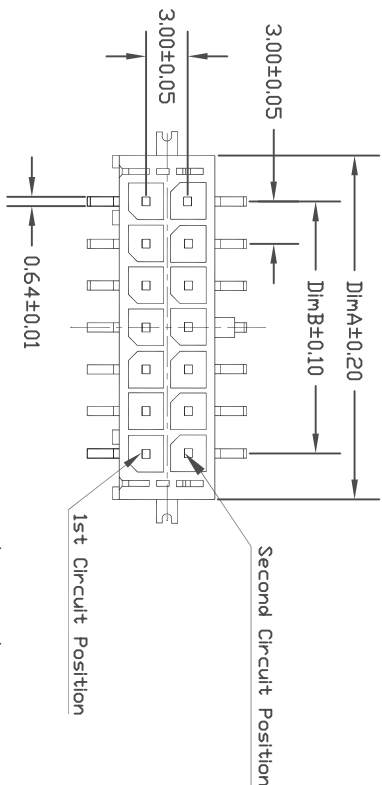
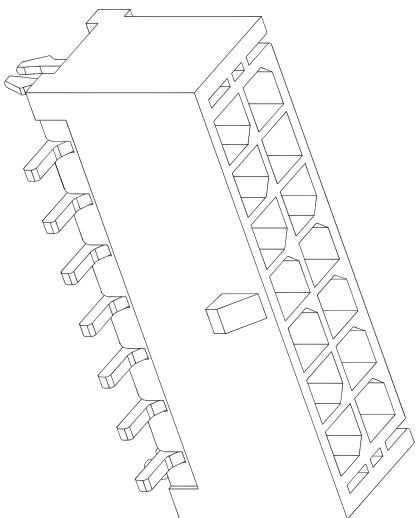
ALL RIGHTS RESERVED. NO PORTION OF THIS PUBLICATION, WHETHER IN WHOLE OR IN PART CAN BE REPRODUCED WITHOUT THE EXPRESS WRITTEN CONSENT OF SPC TECHNOLOGY.

SPC-F005JLVG

REVISIONS

DCP #	REV	DESCRIPTION	DRAWN	DATE	CHECKED	DATE	APPRV	DATE
XX	XX	XXXX	XXXX	06-10-08	XXXX	06-10-08	XXXX	06-10-08
XXXX	XXXX		XXXX	06-10-08	XXXX	06-10-08	XXXX	06-10-08

DOC. NO. SPC-F005 \* Effective: 7/8/02 \* DCP No: 1398



Specifications

- Current Rating : 5.0A AC/DC
- Voltage Rating : 250V AC/DC
- Contact Resistance : 10m ohm, max.
- Insulation Resistance : 1000M ohm, Min.
- Withstanding Voltage : 1500V AC for one minute
- Operating Temperature Range : -25°C to +105°C

Material and Finish

- Wafer Insulator : High Tempe Plastic(UL94V-0)
- Contact Pin : Copper Alloy Tin Plated

Connection

- 5561S-XXT-SM(SM1) Mates With 5560-XX

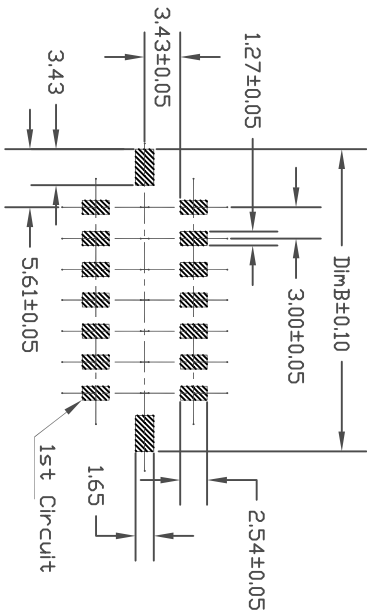
Engineering Dimension

Positions	Dim A, Dim B.
20	33.70   27.00

Ordering Information

5561S-20 T-SM1

Recommended PCB Layout



① S: Straight Type	② No. of Positions
③ T: Tin Plated	④ SM1: With Metal Tab Type



DISCLAIMER:

ALL STATEMENTS AND TECHNICAL INFORMATION CONTAINED HEREIN ARE BASED UPON INFORMATION AND/OR TESTS WE BELIEVE TO BE ACCURATE AND RELIABLE. SINCE CONDITIONS OF USE ARE BEYOND OUR CONTROL, THE USER SHALL DETERMINE THE SUITABILITY OF THE PRODUCT FOR THE INTENDED USE AND ASSUME ALL RISK AND LIABILITY WHATSOEVER IN CONNECTION THEREWITH.

TOLERANCES:

UNLESS OTHERWISE SPECIFIED, DIMENSIONS ARE FOR REFERENCE PURPOSES ONLY.

DRAWN BY:	DATE:
XXXX	06-10-08
CHECKED BY:	DATE:
XXXX	06-10-08
APPROVED BY:	DATE:
XXXX	06-10-08

DRAWING TITLE:

PC Board

SIZE	DWG. NO.	ELECTRONIC FILE	REV
A	2261(5561)S-20T-SM1	02N4676	XX
SCALE:	U.D.M.	INCHES [mm]	SHEET:
NTS			1 OF 1