



# SPC

## TECHNOLOGY

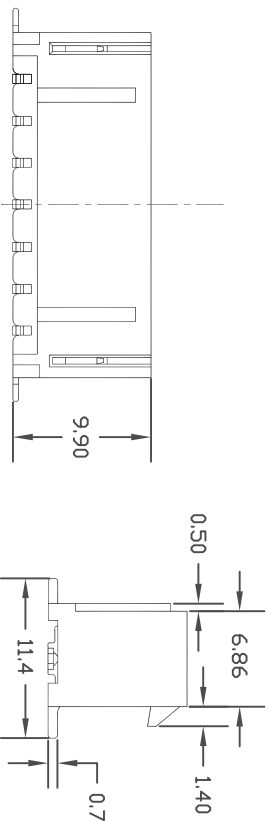
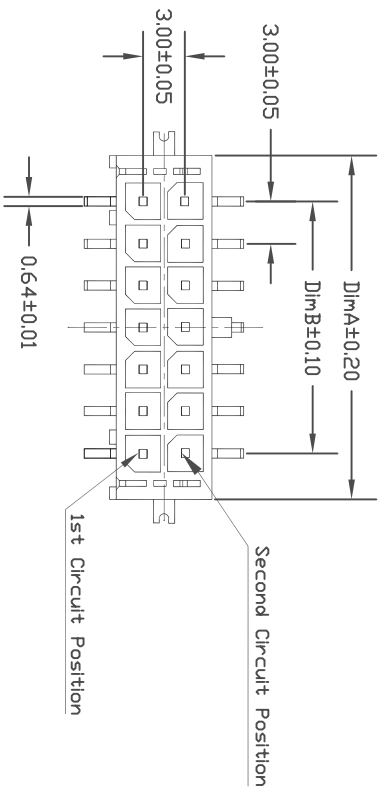
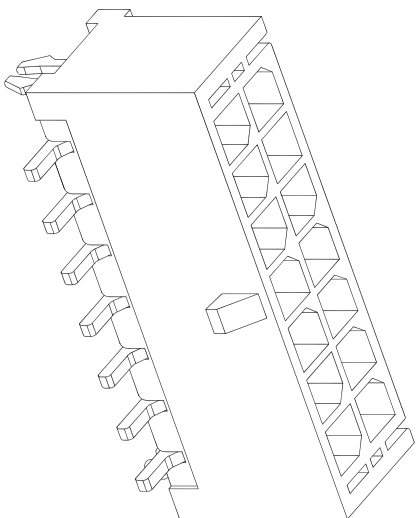
ALL RIGHTS RESERVED. NO PORTION OF THIS PUBLICATION, WHETHER IN WHOLE OR IN PART CAN BE REPRODUCED WITHOUT THE EXPRESS WRITTEN CONSENT OF SPC TECHNOLOGY.

SPC-F005.DWG

### REVISIONS

DCP #	REV	DESCRIPTION	DRAWN	DATE	CHECKD	DATE	APPRVI	DATE
XX	XX	XXXX	XXXX	06-10-08	XXXX	06-10-08	XXXX	06-10-08
XXXX	XXXX		XXXX	06-10-08	XXXX	06-10-08	XXXX	06-10-08

DCP. NO. SPC-F005 \* Effective: 7/8/02 \* DCP No: 1398



### Specifications

- Current Rating : 5.0A AC/DC
- Voltage Rating : 250V AC/DC
- Contact Resistance : 10m ohm, max.
- Insulation Resistance : 1000M ohm, Min.
- Withstanding Voltage : 1500V AC for one minute
- Operating Temperature Range : -25°C to +105°C

### Material and Finish

- Wafer Insulator : High Tempe Plastic(U.L 94V-0)
- Contact Pin : Copper Alloy Tin Plated

### Connection

5561S-XXT-SM(SM1) Mates With 5560-XX

### Engineering Dimension

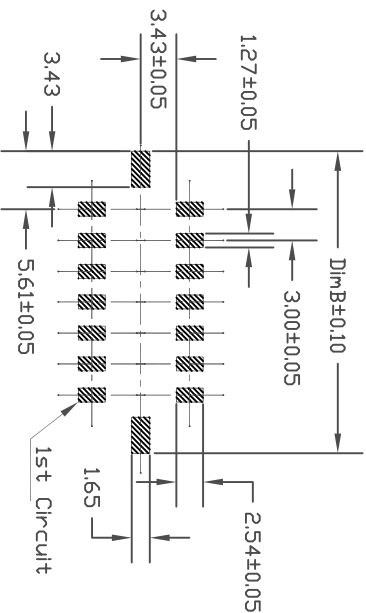
Positions	Dim A, Dim B.
8	15.70 9.00

### Ordering Information

5561S-08 T-SM1

① S: Straight Type	② No. Of Positions
③ T: Tin Plated	④ SM1: With Metal Tab Type

### Recommended PCB Layout



### TOLERANCES:

UNLESS OTHERWISE SPECIFIED, DIMENSIONS ARE FOR REFERENCE PURPOSES ONLY.

### DRAWN BY:

XXXX

### DATE:

06-10-08

### CHECKED BY:

XXXX

### DATE:

06-10-08

### APPROVED BY:

XXXX

### DATE:

06-10-08

### DRAWING TITLE:

PC Board

### SIZE

DWG. NO. A

2261(5561)S-08T-SM1

### ELECTRONIC FILE

02N4664

### REV

XX

### SCALE:

NTS

### U.D.M.:

INCHES [mm]

### SHEET:

1 OF 1