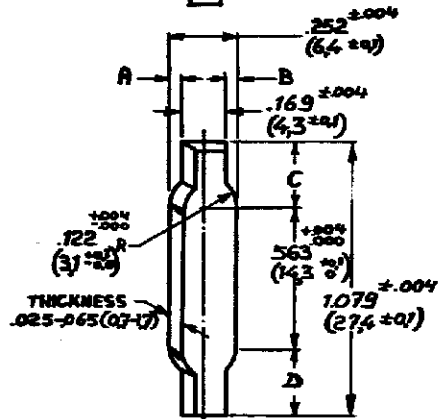
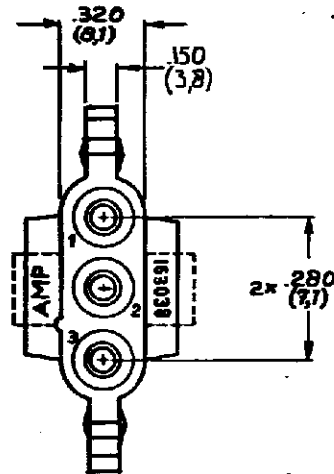
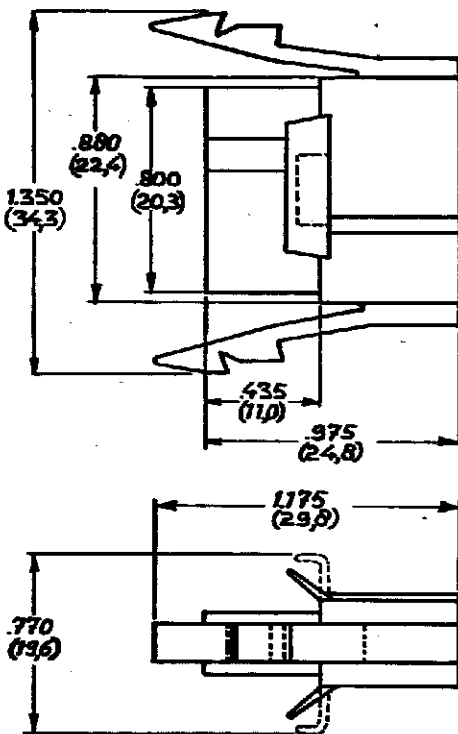


DRAWING MADE IN AMERICAN PROJECTION

PART C-163038

(U.S.A.)



PANEL CUT-OUT

ANTI-RATTLE WINGS AND LOCKING BARBS CAN BE DIFFERENT OF APPEARANCE.

DIMENSIONS A B B AND C & D TO BE EQUAL WITHIN (.02) .008 THE PANEL MUST BE PUNCHED SO THAT THE HOUSING ENTERS THE PANEL IN THE SAME DIRECTION AS THE PUNCH.

4-163038-9	BLACK	
4-163038-8	GREY	
4-163038-7	VIOLET	
4-163038-6	BLUE	
4-163038-5	GREEN	
4-163038-4	YELLOW	
4-163038-3	ORANGE	
4-163038-2	RED	
4-163038-1	BROWN	
4-163038-0	NATURAL	

CUSTOMER COPY FOR REFERENCE ONLY

©1980 BY AMP-HOLLAND N.V. ALL RIGHTS RESERVED A-MP PRODUCTS COVERED BY PATENTS AND/OR PATENTS PENDING.



AMP-HOLLAND N.V.
's-Hertogenbosch

INTERNAL: DURETHAN KL 1-2108 FIRST USED

DIMENSIONS IN PARENTS DO NOT SCALE PRINT

ORDER NO.	MATERIAL	PLATING	SCALE	SIZE	NO
-----------	----------	---------	-------	------	----

2:1 A C-163038 PAGE 4 OF 4

DR. R. Visser	DATE 12/73	DATE
CHK. C. Timmer	DATE 06/75	DATE 12/73

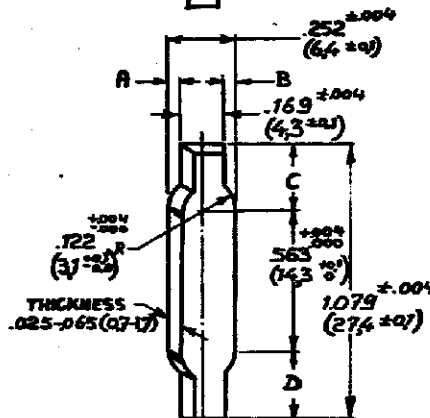
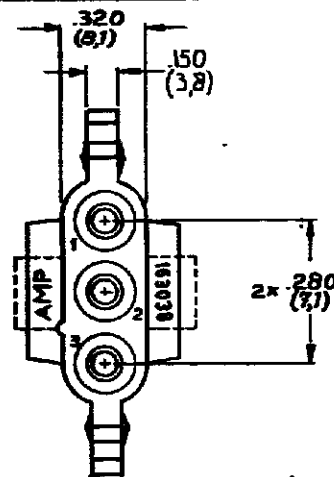
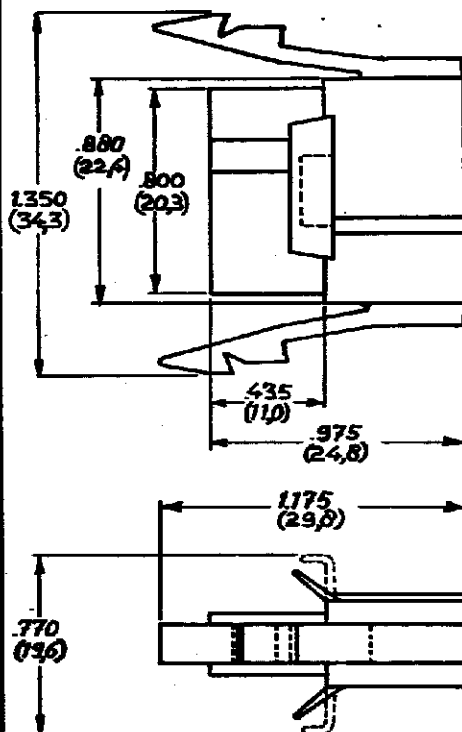
NAME 3-CIRCUIT SOCKET HOUSING MATE-N-LOK

AMP 12324

DRAWING MADE IN AMERICAN PROJECTION

NUMBER C-163038

(U.S.A.)



PANEL CUT-OUT

ANTI-RATTLE WINGS AND LOCKING BARBS CAN BE DIFFERENT OF APPEARANCE.

DIMENSIONS A&B AND C&D TO BE EQUAL WITHIN (.02) .008 THE PANEL MUST BE PUNCHED SO THAT THE HOUSING ENTERS THE PANEL IN THE SAME DIRECTION AS THE PUNCH.

2-163038-9	BLACK	
2-163038-8	GREY	
2-163038-7	VIOLET	
2-163038-6	BLUE	
2-163038-5	GREEN	
2-163038-4	YELLOW	
2-163038-3	ORANGE	
2-163038-2	RED	
2-163038-1	BROWN	
2-163038-0	NATURAL	

CUSTOMER COPY FOR REFERENCE ONLY

©1980 BY AMP-HOLLAND N.V. ALL RIGHTS RESERVED A-MP PRODUCTS COVERED BY PATENTS AND/OR PATENTS PENDING.



AMP-HOLLAND N.V. 's-Hertogenbosch

DIMENSIONS IN INCHES DO NOT SCALE PRINT

ORDER NO.	MATERIAL	PLATING
-----------	----------	---------

SCALE	SIZE	NO	REV
2:1	A	C-163038	2

DR	DATE	DATE
R. Vissers	26.73	
CHK	DATE	DATE
E. Tilleman	26.73	27.73

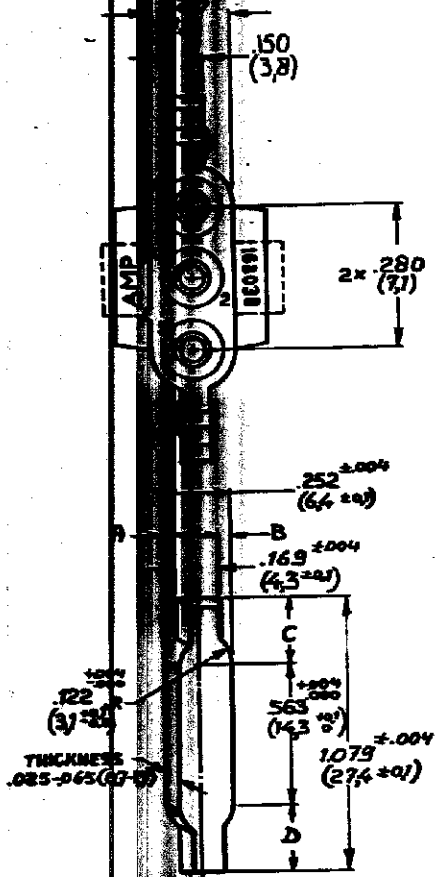
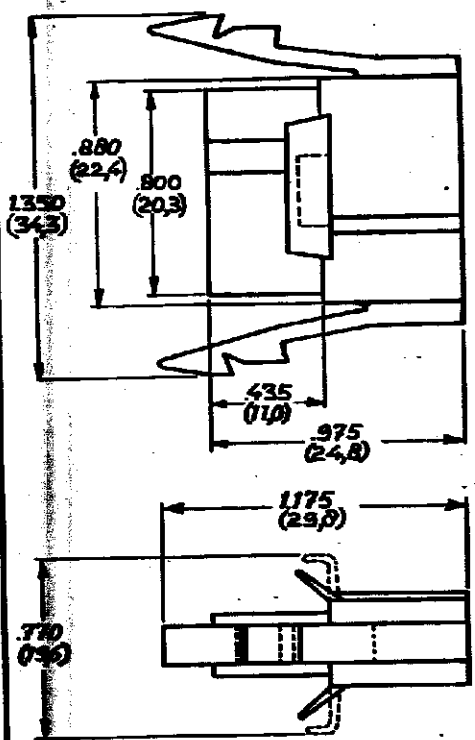
NAME 3-CIRCUIT SOCKET HOUSING MATE-N-LOK

AMP 1254

DRAWING MADE IN AMERICAN PROJECTION

NUMBER C-163038

(U.S.A.)



MIN-RATTLE WINGS AND LOCKING BARBS CAN BE DIFFERENT OF APPEARANCE

PANEL CUT-OUT
 DIMENSIONS B AND C TO BE EQUAL WITHIN .004 IN.
 THE PANELS TO BE PUNCHED SO THAT THE HOUSING ENTERS THE PANEL IN THE SAME DIRECTION AS THE PUNCH.

DIMENSIONS MUST NOT SCALE PRINT

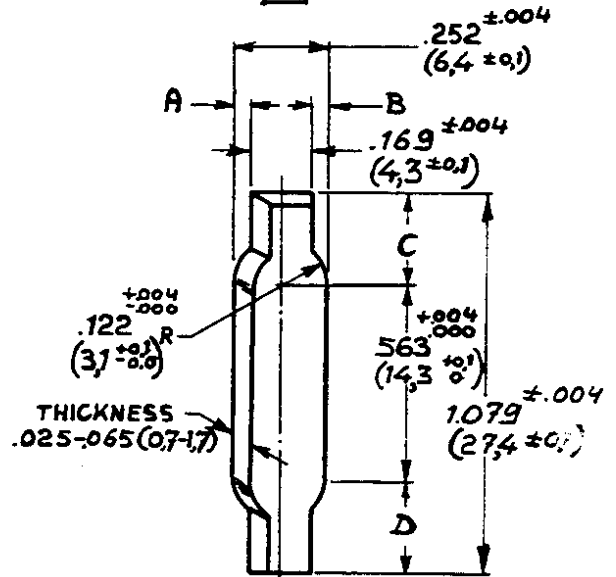
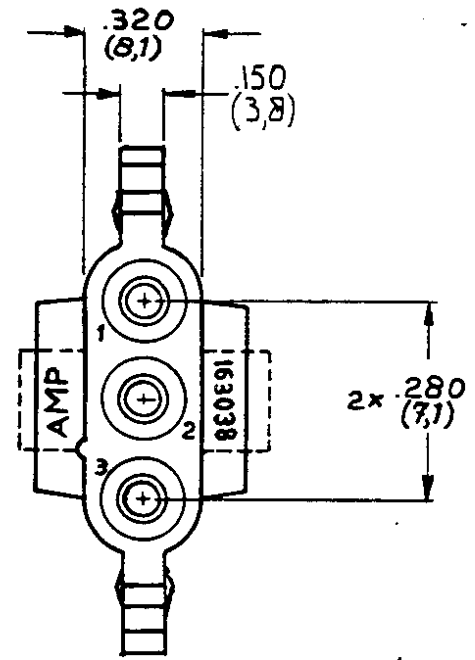
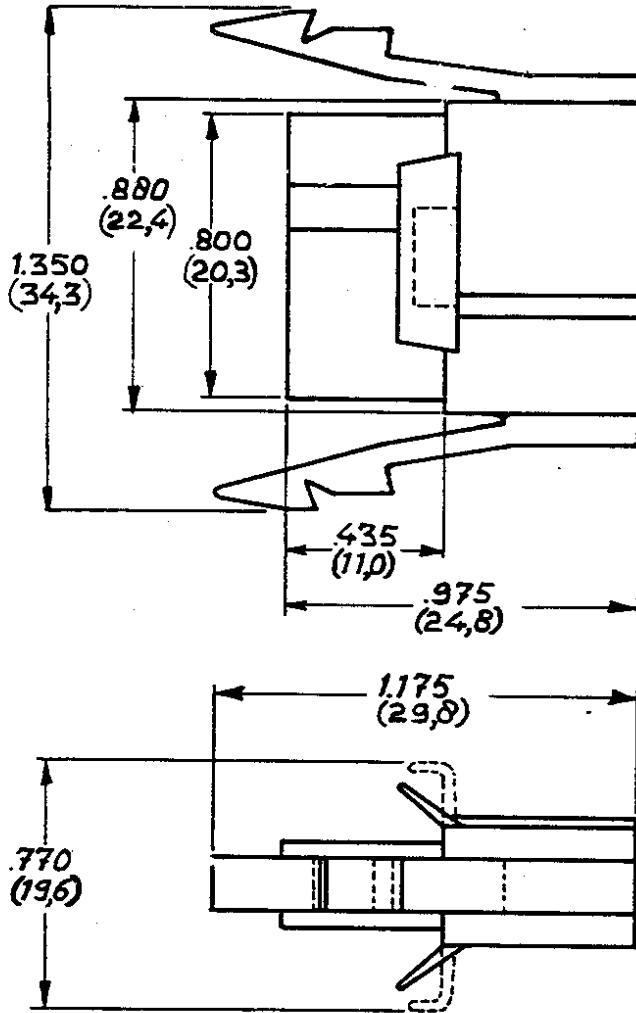
CUSTOMER COPY FOR REFERENCE ONLY					
©1980 BY AMP-HOLLAND N.V. ALL RIGHTS RESERVED A-AMP PRODUCTS COVERED BY PATENTS AND/OR PATENTS PENDING.				AMP AMP-HOLLAND N.V. 's-Hertogenbosch	
ORDER NO.	MATERIAL	PLATING	SCALE	SIZE	NO
3-163038-0	NATURAL		2:1	A	C-163038
DATE	DATE	DATE	DATE	DATE	DATE
APR 11 1975	MAY 11 1975	MAY 11 1975	MAY 11 1975	MAY 11 1975	MAY 11 1975
3-CIRCUIT SOCKET HOUSING MATE-N-LOK					
			PAGE 3 OF 4		
			REV C		

0

DRAWING MADE IN AMERICAN PROJECTION

NUMBER C-163038

(U.S.A.)



PANEL CUT-OUT

*ANTI-RATTLE WINGS AND LOCKING BARBS CAN BE DIFFERENT OF APPEARANCE.

DIMENSIONS A&B AND C&D TO BE EQUAL WITHIN (0,2).008. THE PANEL MUST BE PUNCHED SO THAT THE HOUSING ENTERS THE PANEL IN THE SAME DIRECTION AS THE PUNCH.

4-163038-9	BLACK	
4-163038-8	GREY	
4-163038-7	VIOLET	
4-163038-6	BLUE	
4-163038-5	GREEN	
4-163038-4	YELLOW	
4-163038-3	ORANGE	
4-163038-2	RED	
4-163038-1	BROWN	
4-163038-0	NATURAL	

CUSTOMER COPY FOR REFERENCE ONLY

©1980 BY AMP-HOLLAND N.V. ALL RIGHTS RESERVED A-MP PRODUCTS COVERED BY PATENTS AND/OR PATENTS PENDING.



AMP-HOLLAND N.V.
's-Hertogenbosch

MATERIAL: DURETHAN KL 1-2208 FIRST USED

ORDER NO.	MATERIAL	PLATING	SCALE	SIZE	NO
DR R. Visser 26-6-73			2:1	A	C-163038
CHK E. Tilburg 26-6-73					

DATE	DATE	DATE	DATE
26-6-73	26-6-73	26-6-73	26-6-73

NAME: 3-CIRCUIT SOCKET HOUSING MATE-N-LOK

DIMENSIONS IN (M.M.) DO NOT SCALE PRINT

AMP 1252-H