

The Anderson Power Products "T" Pak Connector effectively splits electrical current from one incoming circuit into two outgoing circuits. The "T" Pak is designed to be used in conjunction with APP's industry standard 4 position Powerpole Paks to provide a low cost, flexible system for directing power. The outer shell is molded of the same high-impact and corrosion resistant thermoplastic as the Powerpole Pak. Each unit comes pre-assembled for a 20A, 3-phase AC configuration. The electrical connections are made using APP PP15/45 Powerpoles and Premate Ground Powerpole. The "T" Pak allows for easy installation, convenient connection and quick disconnection of electrical equipment in industrial and commercial applications. Mounting holes are provided to allow the unit to be mounted in any location and integral latches prevent accidental disconnection.

The standard configuration includes Red, Black, White and Green (ground housing) connectors. Custom configurations using any of our standard or finger proof Powerpoles are available and requests should be directed to APP Sales or Customer Service for further information.



Features

- 2 Way electrical splitter

One incoming circuit and two outgoing circuits

- Works with all 15/45 powerpoles

May be configured utilizing any of our 10 to 45 amp powerpole products including standard, finger proof, ground and PP4x signal connectors.

- Integral positive latches

Ensures reliable connections and prevents accidental disconnection.

- AC/ DC operation

UL rated for AC or DC operation up to 20A per circuit

SPECIFICATIONS

Electrical		Material	
Current Rating (Amperes)*	20	Housing Material	Polycarbonate
Voltage Rating (AC/DC)	600	Powerpole Contacts	Copper Alloy
Dielectric Withstanding Voltage (AC)	2,200	Plating	Tin
Operating Temperature Range (°C)**	-20° to 105°		
(°F)	-4° to 221°		
Flammability Rating of Housing Material	UL94 V-0		



File No. E26226

* When connected with Powerpole Pak Plugs utilizing #12 AWG wire contacts

** Contact factory for higher temperature rated connectors

ORDERING INFORMATION

Preassembled "T" Pak Housing

Part Number	Description
20-01	Preassembled 4-pole "T" Connector for 20A application

Mating Powerpole Pak Plug Connectors

Includes plug housing, 261G2 contacts, red, black, white, premate ground housings & cable clamp hardware.

Part Number	Description
26-01	4 position plug with latch
27-01	4 position plug without latch

Special configurations available by request

HEADQUARTERS: Anderson Power Products®, 13 Pratts Junction Road, Sterling, MA 01564-2305 USA T:978-422-3600 F:978-422-3700

EUROPE: Anderson Power Products® Ltd., Unit 3, Europa Court, Europa Boulevard, Westbrook, Warrington, Cheshire, WA5 7TN United Kingdom T: +44 (0) 1925 428390 F: +44 (0) 1925 428399

ASIA/PACIFIC: IDEAL Anderson Asia Pacific Ltd., Unit 922-928 Topsail Plaza, 11 On Sum Street, Shatin N.T., Hong Kong T: +(852) 2636 0836 F: +(852) 2635 9036

CHINA: IDEAL Anderson Technologies (Shenzhen) Ltd., Block A8 Tantou Western Industrial Park, Songgang Baoan District, Shenzhen, PR. China 518105 T: +(86) 755 2768 2118 F: +(86) 755 2768 2218

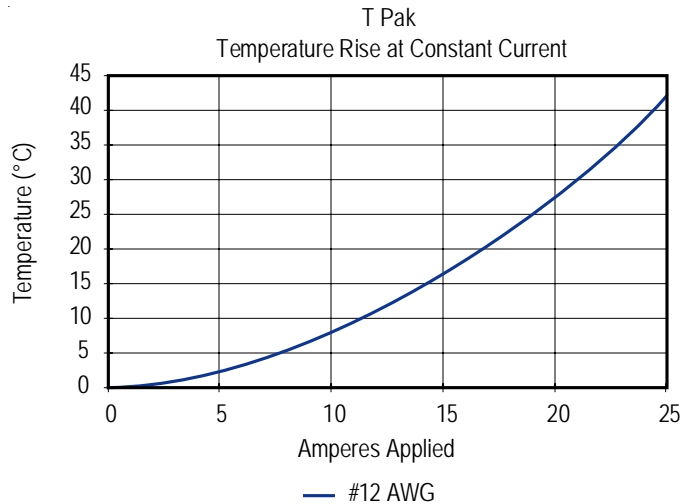
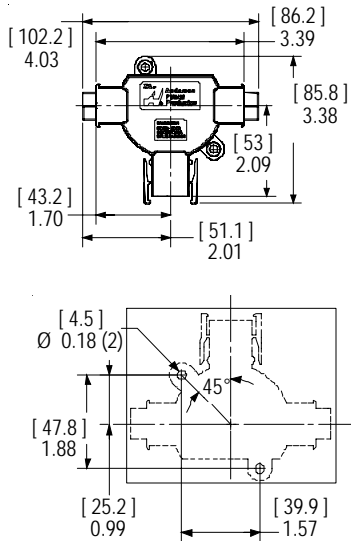
TAIWAN: IDEAL Anderson Asia Pacific Ltd., Taiwan Branch, 4F.-2, No.116, Dadun 20th St., Situn District, Taichung City 407, Taiwan (R.O.C.) T: +(886) 4 2310 6451 F: +(886) 4 2310 6460

www.andersonpower.com

DIMENSIONS - in.(mm)

TEMPERATURE CHART

T Pak Housing



MATING CONNECTORS

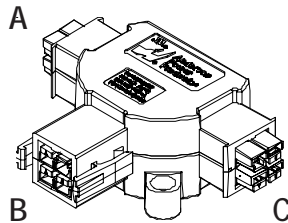
Assembled View - (Special configurations available by request)

Powerpole Pak 4 Pole Without Latches

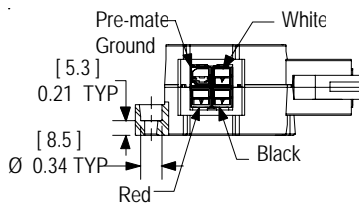
Part Number: 27-01

Powerpole Pak 4 Pole With Latches

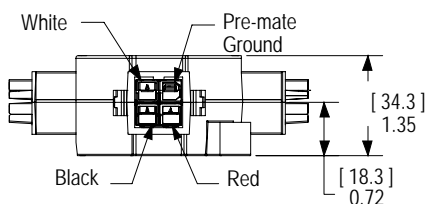
Part Number: 26-01



View A & C



View B



Recommended Mounting Screws: #8 x 1/2 - 3/4 or M4 x 13 - 20 mm
(Not Provided)