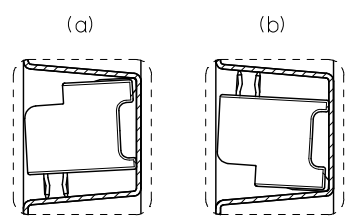


DETAIL A  
(SCALE 2:1)



DETAIL B  
(SCALE 2:1)

注記

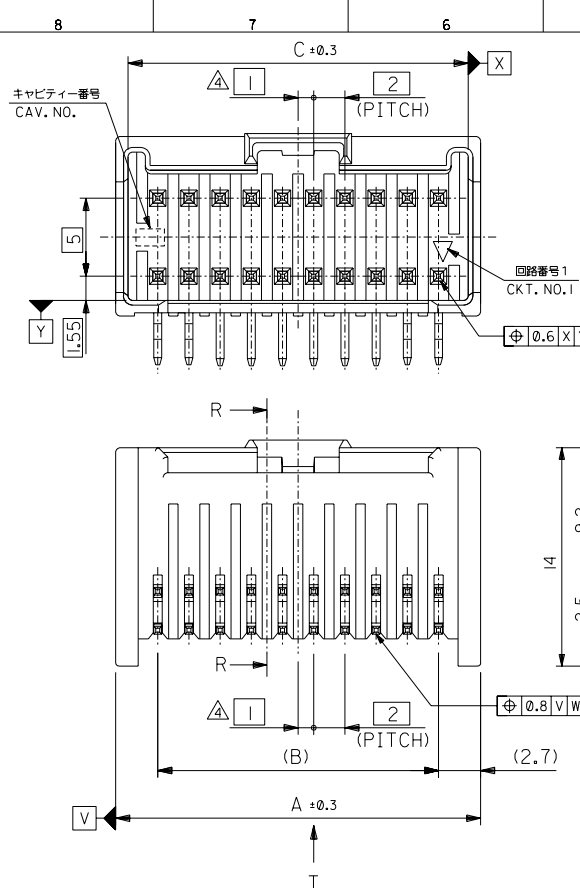
1. 一般公差: ±0.5  
GENERAL TOLERANCES: ±0.5
  2. 各部の反りは2.0MAX.  
WARP: 2.0MAX.
- △ トレイの中の製品の向きは(a)又は(b)とし、かつ同一トレイ中の製品の向きはどちらか一方で統一  
PRODUCT DIRECTION SHOULD BE (a) OR (b). ALL PRODUCTS MUST FACED THE SAME DIRECTION IN THE TRAY.

55959-\*\*7\*  
55959-\*\*3\*  
適用製品番号  
APPLICABLE PART No.

RELEASED EC NO: J2009-0955 DRWN: TOKUZONO 2008/10/20 CHKD: HARUYAMA 2008/10/20 APPR: UKIITA 2008/10/20	GENERAL TOLERANCES (UNLESS SPECIFIED)		DIMENSION STYLE MM ONLY	SCALE 1:2	DESIGN UNITS METRIC	THIRD ANGLE PROJECTION
	10 UNDER	±---	DRAWN BY Y. TOKUZONO	DATE 2008/10/17	TITLE TRAY FOR 55959 (2.0MM W-T-B DUAL CONN. DIP PLUG HOUSING ASS'Y)	
	10 OVER	±---	CHECKED BY T. HARUYAMA	DATE 2008/10/17	MOLEX INCORPORATED	
	30 OVER	±---	APPROVED BY N. UKIITA	DATE 2008/10/17	MATERIAL NO. 098910030	DOCUMENT NO. SD-55959-001
0	ANGULAR ±---°	DRAFT WHERE APPLICABLE MUST REMAIN WITHIN DIMENSIONS	SIZE A3 THIS DRAWING CONTAINS INFORMATION THAT IS PROPRIETARY TO MOLEX INCORPORATED AND SHOULD NOT BE USED WITHOUT WRITTEN PERMISSION			

DWG. NO. SD-55959-003

DO NOT SCALE DRAWING



注記 NOTES

1. 材料 MATERIAL  
 PIN : 黄銅, 鍍メッキ  
 PIN : BRASS, TIN PLATING  
 ハウジング : PBT (ガラス入り: 15%), UL94V-0  
 HOUSING : PBT(G.F.: 15%), UL94V-0
2. 適合相手 : 51353シリーズ  
 MATE WITH : 51353 SERIES
3. ソルダータールキンは、両端の8ピンのみとする。  
 KINK TO BE APPLIED FOR 8 PINS AT BOTH ENDS.

△ (全極数/2) = 偶数の場合に適用。  
 APPLY FOR (CIRCUIT/2) = EVEN

△ 製品番号 MATERIAL NO.  
 55959-\*\*\*3\*

極数 CIRCUIT SIZE 色 COLOR

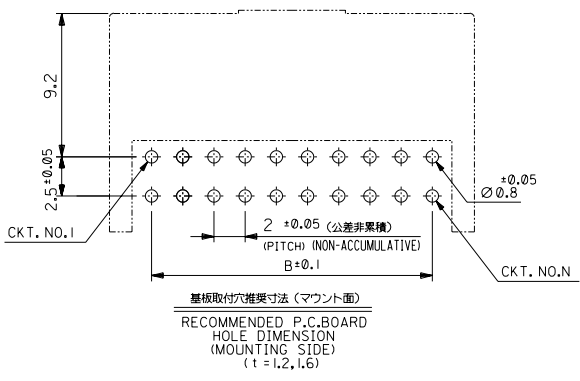
ナチュラル (白) NATURAL (WHITE)	0
黒 BLACK	1
赤 RED	2
黄 YELLOW	3
青 BLUE	4
桃 PINK	5
緑 GREEN	6
茶 BROWN	7
橙 ORANGE	8
紫 VIOLET	9

41.8	38	43.4	55959-403*	40
39.8	36	41.4	-383*	38
37.8	34	39.4	-363*	36
35.8	32	37.4	-343*	34
33.8	30	35.4	-323*	32
31.8	28	33.4	-303*	30
29.8	26	31.4	-283*	28
27.8	24	29.4	-263*	26
25.8	22	27.4	-243*	24
23.8	20	25.4	-223*	22
21.8	18	23.4	-203*	20
19.8	16	21.4	-183*	18
17.8	14	19.4	-163*	16
15.8	12	17.4	-143*	14
13.8	10	15.4	-123*	12
11.8	8	13.4	-103*	10
9.8	6	11.4	55959-083*	8
C	B	A	△ MATERIAL NO. CKT.	

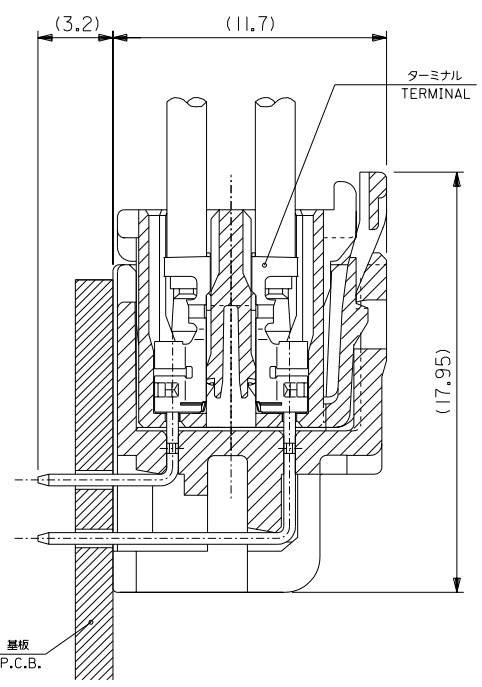
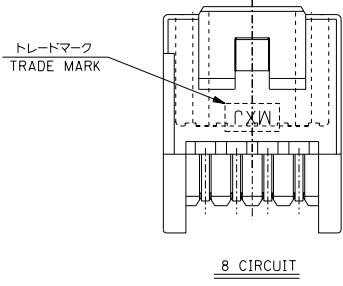
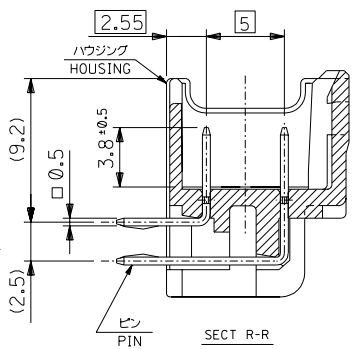
EC NO. DRWN: CHK: APPR:	EC NO. DRWN: CHK: APPR:	EC NO. DRWN: CHK: APPR:	REVISED EC NO. J2004-3728 DRWN: WADA '04/04/09 CHK: M.SASAO APPR: M.SASAO	REVISED EC NO. J2003-3290 DRWN: ITO '03/06/26 CHK: K.SAKAWA APPR: T.YAMAGUCHI	MATERIAL 材料 注記参照 SEE NOTES	GENERAL TOLERANCES: (UNLESS SPECIFIED) 一般公差	SCALE //	DESIGN UNITS mm INCH	MODEL NO. 55959-***3*	THIRD ANGLE PROJECTION	DIMENSIONS: mm INCH mm ONLY	SHT 1	REV OF 3
					FINISH 仕上り //	10 UNDER 未満 +0.2	DRAWN BY & DATE N.ITO '02/02/24		TITLE: 2.0mm W-t-B DUAL CONN DIP PLUG HOUSING ASS'Y R/A (WITHOUT BOSS) -LEAD FREE-				
					WIRE RANGE 適用電線範囲 //	10 OVER 以上 +0.25	CHECKED BY & DATE K.ASAKAWA '03/06/26						
					INS. RANGE 被覆外径 //	30 OVER 以上 +0.3	APPROVED BY & DATE T.YAMAGUCHI '03/06/26						
						ANGLE 角度 +3°	CAD FILENAME 55959003.S01						

EN-02J(097) MXJ-54

DWG. NO. SD-55959-003



RECOMMENDED P.C.BOARD HOLE DIMENSION (MOUNTING SIDE) (t = L2, L6)



嵌合断面図 (参考)  
MATED DRAWING (REF.)

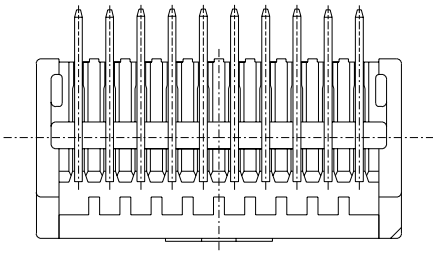
DO NOT SCALE DRAWING

EC NO. DRWN: CHK: APPR:	EC NO. DRWN: CHK: APPR:	EC NO. DRWN: CHK: APPR:	REVISED EC NO. J2004-3728 DRWN:Y.WADA '04/04/09 CHK: M.SASAO APPR:M.SASAO	REVISED EC NO. J2003-3290 DRWN:LITO '03/06/26 CHK: K.SAKAWA APPR:T.YAMAGUCHI	MATERIAL 材料 注記参照 SEE NOTES
					FINISH 仕上げ //
					WIRE RANGE 適用電線範囲 //
					INS. RANGE 被覆外径 //

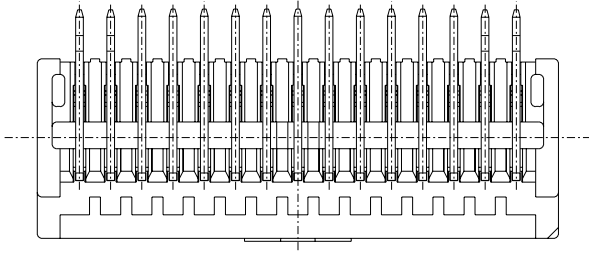
55959-003	MODEL NO.	DIMENSIONS: <input type="checkbox"/> MM INCH <input checked="" type="checkbox"/> MM ONLY	SHT REV
SCALE //	DESIGN UNITS <input checked="" type="checkbox"/> MM <input type="checkbox"/> INCH	THIRD ANGLE PROJECTION	REVISE ON CAD ONLY
DRAWN BY & DATE N.ITO '02/02/24	CHECKED BY & DATE K.ASAKAWA '03/06/26	TITLE: 2.0mm W-t-B DUAL CONN DIP PLUG HOUSING ASS'Y R/A (WITHOUT BOSS) -LEAD FREE-	
APPROVED BY & DATE T.YAMAGUCHI '03/06/26	CAD FILENAME 55959003.S02	MATERIAL NO. SEE CHART	DRAWING NO. SD-55959-003
THIS DRAWING CONTAINS INFORMATION THAT IS PROPRIETARY TO MOLEX INCORPORATED AND SHOULD NOT BE USED WITHOUT WRITTEN PERMISSION.			SHEET NO. 2 OF 3
			SIZE B

EN-02J(097) MXJ-54

DWG. NO. SD-55959-003

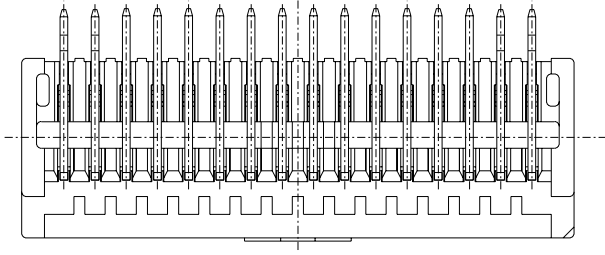


8-20 CIRCUIT



22,26,30,34,38 CIRCUIT

VIEW "T"



24,28,32,36,40 CIRCUIT

DO NOT SCALE DRAWING		EC NO. DRWN: CH'K: APPR:		EC NO. DRWN: CH'K: APPR:		EC NO. DRWN: CH'K: APPR:		REVISED EC NO. J2004-3728 DRWN:Y.WADA '04/04/09 CH'K: M.SASAO APPR:M.SASAO		REVISED EC NO. J2003-3290 DRWN:N.LITO '03/06/26 CH'K: K.SAKAWA APPR:T.YAMAGUCHI		MATERIAL 材料 注記参照 SEE NOTES		GENERAL TOLERANCES: (UNLESS SPECIFIED) 一般公差		SCALE 55959-003* DESIGN UNITS <input checked="" type="checkbox"/> mm <input type="checkbox"/> INCH		MODEL NO.		DIMENSIONS: <input type="checkbox"/> mm <input type="checkbox"/> INCH <input checked="" type="checkbox"/> mm ONLY		SHT REV	
												FINISH 仕上付 //		10 UNDER 未満 +0.2		DRAWN BY & DATE N.ITO '02/02/24		THIRD ANGLE PROJECTION		REVISE ON CAD ONLY			
												WIRE RANGE 適用電線範囲 //		10 OVER 以上 30 UNDER 未満 +0.25		CHECKED BY & DATE K.ASAKAWA '03/06/26		TITLE: 2.0mm W-t-B DUAL CONN DIP PLUG HOUSING ASS'Y R/A (WITHOUT BOSS) -LEAD FREE-					
												INS. RANGE 被覆外径 //		30 OVER 以上 +0.3		APPROVED BY & DATE T.YAMAGUCHI '03/06/26		MOLEX INCORPORATED		SHEET NO. 3 OF 3			
												ANGLE 角度 +3°		CAD FILENAME 55959003.S03		MATERIAL NO. SEE CHART		DRAWING NO. SD-55959-003		SIZE B			
														THIS DRAWING CONTAINS INFORMATION THAT IS PROPRIETARY TO MOLEX INCORPORATED AND SHOULD NOT BE USED WITHOUT WRITTEN PERMISSION.						EN-02J(097) MXJ-54			