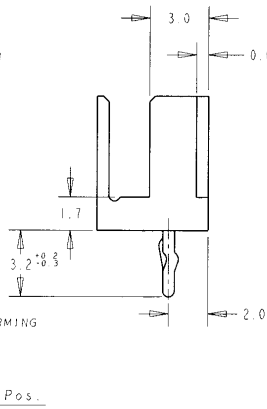
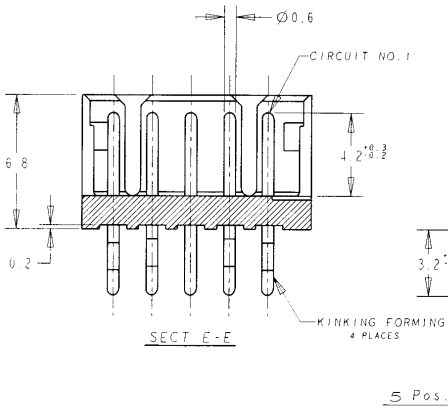
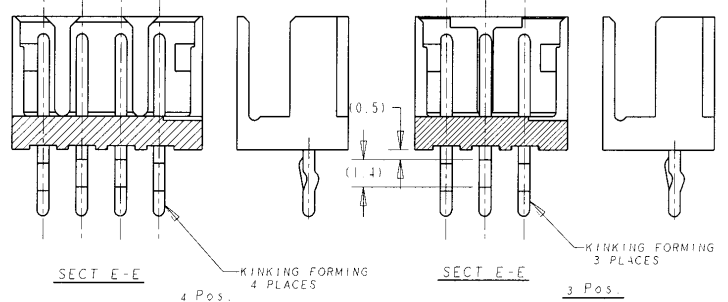
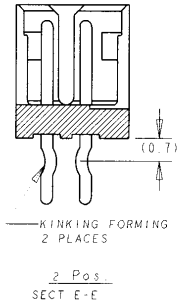
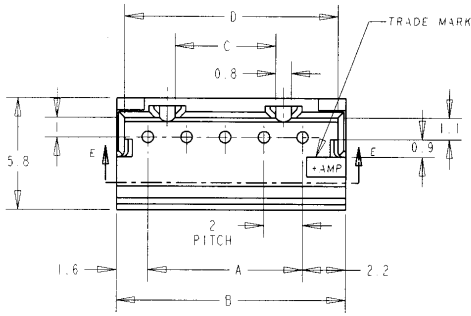


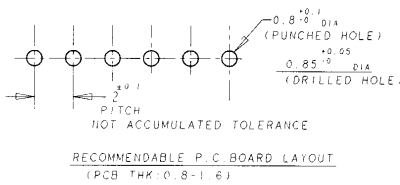
THIS DRAWING IS UNPUBLISHED  
 RELEASED FOR PUBLICATION  
 COPYRIGHT 20 BY TYCO ELECTRONICS CORPORATION ALL RIGHTS RESERVED

| LOC | DIST     | REVISIONS    |         |       |       |
|-----|----------|--------------|---------|-------|-------|
| P   | LYR      | DESCRIPTION  | DATE    | DWN   | APVD  |
| 0   | RELEASED | FB00-0013-03 | 23JAN03 | J. J. | T. S. |

NOTES:  
 △ MATERIAL: HOUSING - 66 NYLON (UL94V-0)  
 POST - TIN BRASS



|            |            |            |            |    |    |      |      |      |
|------------|------------|------------|------------|----|----|------|------|------|
| 7-292132-5 | 5-292132-5 | 3-292132-5 | 1-292132-5 | 15 | 28 | 31.8 | 25.2 | 31.0 |
| 7- -4      | 5- -4      | 3- -4      | 1- -4      | 14 | 26 | 29.8 | 23.2 | 29.0 |
| 7- -3      | 5- -3      | 3- -3      | 1- -3      | 13 | 24 | 27.8 | 21.2 | 27.0 |
| 7- -2      | 5- -2      | 3- -2      | 1- -2      | 12 | 22 | 25.8 | 19.2 | 25.0 |
| 7- -1      | 5- -1      | 3- -1      | 1- -1      | 11 | 20 | 23.8 | 17.2 | 23.0 |
| 7- -0      | 5- -0      | 3- -0      | 1- -0      | 10 | 18 | 21.8 | 15.2 | 21.0 |
| 6- -9      | 4- -9      | 2- -9      | -9         | 9  | 16 | 19.8 | 13.2 | 19.0 |
| 6- -8      | 4- -8      | 2- -8      | -8         | 8  | 14 | 17.8 | 11.2 | 17.0 |
| 6- -7      | 4- -7      | 2- -7      | -7         | 7  | 12 | 15.8 | 9.2  | 15.0 |
| 6- -6      | 4- -6      | 2- -6      | -6         | 6  | 10 | 13.8 | 7.2  | 13.0 |
| 6- -5      | 4- -5      | 2- -5      | -5         | 5  | 8  | 11.8 | 5.2  | 11.0 |
| 6- -4      | 4- -4      | 2- -4      | -4         | 4  | 6  | 9.8  | 3.2  | 9.0  |
| 6- -3      | 4- -3      | 2- -3      | -3         | 3  | 4  | 7.8  | 1.2  | 7.0  |
| 6-292132-2 | 4-292132-2 | 2-292132-2 | 292132-2   | 2  | 2  | 5.8  | 0.2  | 5.0  |

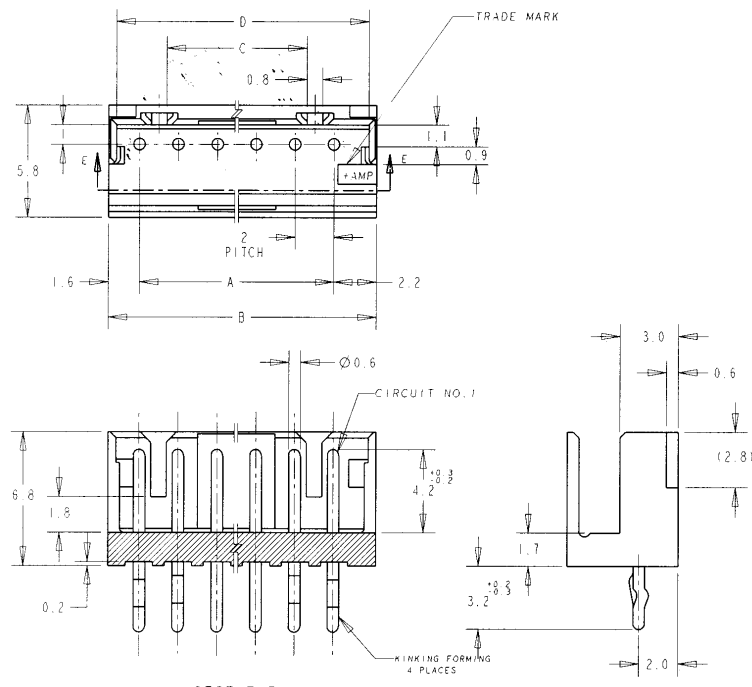


|                |  |  |  |  |   |
|----------------|--|--|--|--|---|
| DIMENSIONS: mm |  | TOLERANCES UNLESS OTHERWISE SPECIFIED:<br>10 > : ±0.2<br>30 > 10 : ±0.25<br>100 > 30 : ±0.3<br>ANGLE : ±3° |  | DWN<br>J. JIANG<br>23JAN03                     | Tyco Electronics Corporation<br>Shanghai, P.R.China, 200223   |
| MATERIAL       |  | FINISH   |  | CHK<br>S. YAO<br>23JAN03                       |   |
| PRODUCT SPEC   |  | APPLICATION SPEC   |  | APVD<br>T. SASAKI<br>23JAN03                   | NAME  |
| WEIGHT         |  | CUSTOMER DRAWING   |  | 108-60016                                      | POST HEADER ASS'Y (BGX-V DIP)<br>(AMP CT CONNECTOR 2mm PITCH) |
| SCALE 5:1      |  | SHEET 1 OF 2   |  | S111 CASE CODE DRAWING NO<br>A3 00779 C=292132 | RESTRICTED TO   |

THIS DRAWING IS UNPUBLISHED  
 RELEASED FOR PUBLICATION  
 COPYRIGHT BY TYCO ELECTRONICS CORPORATION ALL RIGHTS RESERVED

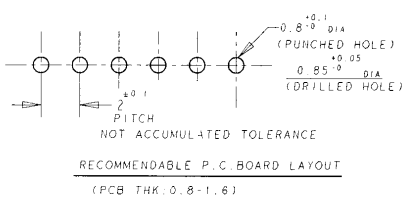
| LOC | DIST | REVISIONS   |      |     |      |
|-----|------|-------------|------|-----|------|
| P   | LTR  | DESCRIPTION | DATE | DWR | APVD |
| FB  | 00   | SEE SHEET 1 |      |     |      |

NOTES:  
 △ MATERIAL: HOUSING - 66 NYLON (UL94V-0)  
 POST - TIN BRASS



| 7-292132-5 | 5-292132-5 | 3-292132-5 | 1-292132-5 | 15 | 28 | 31.8 | 25.2 | 31.0 |
|------------|------------|------------|------------|----|----|------|------|------|
| 7-▲-4      | 5-▲-4      | 3-▲-4      | 1-▲-4      | 14 | 26 | 29.8 | 23.2 | 29.0 |
| 7-▲-3      | 5-▲-3      | 3-▲-3      | 1-▲-3      | 13 | 24 | 27.8 | 21.2 | 27.0 |
| 7-▲-2      | 5-▲-2      | 3-▲-2      | 1-▲-2      | 12 | 22 | 25.8 | 19.2 | 25.0 |
| 7-▲-1      | 5-▲-1      | 3-▲-1      | 1-▲-1      | 11 | 20 | 23.8 | 17.2 | 23.0 |
| 7-▲-0      | 5-▲-0      | 3-▲-0      | 1-▲-0      | 10 | 18 | 21.8 | 15.2 | 21.0 |
| 6-▲-9      | 4-▲-9      | 2-▲-9      | -▲-9       | 9  | 16 | 19.8 | 13.2 | 19.0 |
| 6-▲-8      | 4-▲-8      | 2-▲-8      | -▲-8       | 8  | 14 | 17.8 | 11.2 | 17.0 |
| 6-▲-7      | 4-▲-7      | 2-▲-7      | -▲-7       | 7  | 12 | 15.8 | 9.2  | 15.0 |
| 8-292132-6 | 6-▲-6      | 4-▲-6      | 2-▲-6      | 6  | 10 | 13.8 | 7.2  | 13.0 |
| 6-▲-5      | 4-▲-5      | 2-▲-5      | -▲-5       |    |    |      |      |      |
| 6-▲-4      | 4-▲-4      | 2-▲-4      | -▲-4       |    |    |      |      |      |
| 6-▲-3      | 4-▲-3      | 2-▲-3      | -▲-3       |    |    |      |      |      |
| 6-292132-2 | 4-292132-2 | 2-292132-2 | 292132-2   |    |    |      |      |      |

(SEE SHEET 1 OF 2)



|                          |  |  |  |  |  |  |  |
|--------------------------|--|--|--|--|--|--|--|
| DIMENSIONS: mm<br>       |  | TOLERANCES UNLESS OTHERWISE SPECIFIED:<br>10 ± 0.2<br>30 ± 0.25<br>100 ± 0.3<br>ANGLE ± 3° |  | DWN<br>CHK<br>APVD<br>PRODUCT SPEC<br>APPLICATION SPEC<br>WEIGHT<br>CUSTOMER DRAWING |  | <b>tyco</b><br><b>Electronics</b><br>Tyco Electronics Corporation<br>Shanghai, P.R. China 200233 |  |
| MATERIAL: △<br>FINISH: △ |  | NAME:<br><b>POST HEADER ASS'Y (BOX-V DIP)</b><br><b>(AMP CT CONNECTOR 2mm PITCH)</b>       |  | SIZE: A3<br>CAGE CODE: 00779<br>DRAWING NO: C=292132                                 |  | RESTRICTED TO:   |  |
| SCALE: 5:1               |  |  |  | SHEET: 2 OF 2  |  | REV: 0   |  |