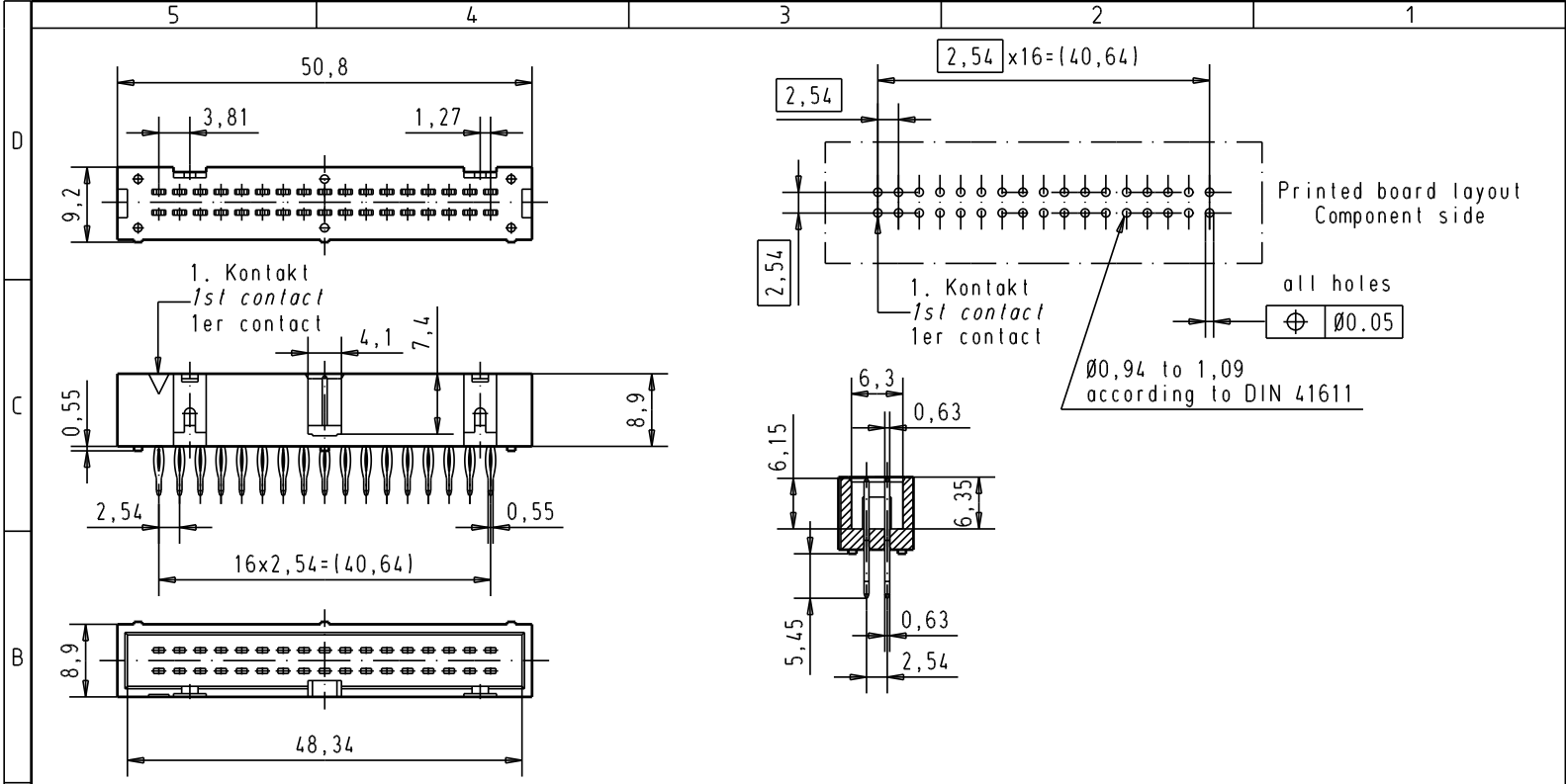


Alle Rechte vorbehalten / All rights reserved



|   |                   |             |                   |  |                   |             |  |           |    |   |  |               |          |       |       |  |    |      |      |      |   |  |              |  |         |       |   |  |                |             |      |       |
|---|-------------------|-------------|-------------------|--|-------------------|-------------|--|-----------|----|---|--|---------------|----------|-------|-------|--|----|------|------|------|---|--|--------------|--|---------|-------|---|--|----------------|-------------|------|-------|
|   |                   |             |                   | Techn. Character.  |                   |             | Nicht tolerierte Masse! Free size tolerances |           |    |   |  |               |          |       |       |  |    |      |      |      |   |  |              |  |         |       |   |  |                |             |      |       |
|   |                   |             |                   | <table border="1"> <tr> <td>Del.</td> <td>Name</td> </tr> <tr> <td>01-FEB-00</td> <td>JB</td> </tr> </table> |                   | Del.        | Name   | 01-FEB-00 | JB | <table border="1"> <tr> <td>Masstab/Scale</td> <td></td> </tr> <tr> <td>1,5:1</td> <td></td> </tr> </table>   |  | Masstab/Scale |          | 1,5:1 |       | SEK 18 Male connector<br>34 poles<br>Low profile har.press |    |      |      |      |   |  |              |  |         |       |   |  |                |             |      |       |
| Del.  | Name              |             |                   |  |                   |             |  |           |    |   |  |               |          |       |       |  |    |      |      |      |   |  |              |  |         |       |   |  |                |             |      |       |
| 01-FEB-00   | JB                |             |                   |  |                   |             |  |           |    |   |  |               |          |       |       |  |    |      |      |      |   |  |              |  |         |       |   |  |                |             |      |       |
| Masstab/Scale   |                   |             |                   |  |                   |             |  |           |    |   |  |               |          |       |       |  |    |      |      |      |   |  |              |  |         |       |   |  |                |             |      |       |
| 1,5:1   |                   |             |                   |  |                   |             |  |           |    |   |  |               |          |       |       |  |    |      |      |      |   |  |              |  |         |       |   |  |                |             |      |       |
| <table border="1"> <tr> <td>09185345329</td> <td>0,76 um Au</td> </tr> <tr> <td>09185346329</td> <td>2</td> </tr> <tr> <td>09185347329</td> <td>3</td> </tr> </table>                                   |                   | 09185345329 | 0,76 um Au        | 09185346329  | 2                 | 09185347329 | 3  |           |    | <table border="1"> <tr> <td>32154</td> <td>27/08/04</td> <td>TR</td> </tr> <tr> <td>26570</td> <td>01-FEB-00</td> <td>JB</td> </tr> <tr> <td>Mod.</td> <td>Dat.</td> <td>Name</td> </tr> </table> |  | 32154         | 27/08/04 | TR    | 26570 | 01-FEB-00  | JB | Mod. | Dat. | Name | <table border="1"> <tr> <td colspan="2">HARTING EURL</td> </tr> <tr> <td>F-95972</td> <td>Paris</td> </tr> </table> |  | HARTING EURL |  | F-95972 | Paris | <table border="1"> <tr> <td>TB 0918534x329</td> <td>Blatt/ page</td> </tr> <tr> <td>Sub.</td> <td>1 / 1</td> </tr> </table> |  | TB 0918534x329 | Blatt/ page | Sub. | 1 / 1 |
| 09185345329   | 0,76 um Au        |             |                   |  |                   |             |  |           |    |   |  |               |          |       |       |  |    |      |      |      |   |  |              |  |         |       |   |  |                |             |      |       |
| 09185346329   | 2                 |             |                   |  |                   |             |  |           |    |   |  |               |          |       |       |  |    |      |      |      |   |  |              |  |         |       |   |  |                |             |      |       |
| 09185347329   | 3                 |             |                   |  |                   |             |  |           |    |   |  |               |          |       |       |  |    |      |      |      |   |  |              |  |         |       |   |  |                |             |      |       |
| 32154   | 27/08/04          | TR          |                   |  |                   |             |  |           |    |   |  |               |          |       |       |  |    |      |      |      |   |  |              |  |         |       |   |  |                |             |      |       |
| 26570   | 01-FEB-00         | JB          |                   |  |                   |             |  |           |    |   |  |               |          |       |       |  |    |      |      |      |   |  |              |  |         |       |   |  |                |             |      |       |
| Mod.  | Dat.              | Name        |                   |  |                   |             |  |           |    |   |  |               |          |       |       |  |    |      |      |      |   |  |              |  |         |       |   |  |                |             |      |       |
| HARTING EURL  |                   |             |                   |  |                   |             |  |           |    |   |  |               |          |       |       |  |    |      |      |      |   |  |              |  |         |       |   |  |                |             |      |       |
| F-95972   | Paris             |             |                   |  |                   |             |  |           |    |   |  |               |          |       |       |  |    |      |      |      |   |  |              |  |         |       |   |  |                |             |      |       |
| TB 0918534x329  | Blatt/ page       |             |                   |  |                   |             |  |           |    |   |  |               |          |       |       |  |    |      |      |      |   |  |              |  |         |       |   |  |                |             |      |       |
| Sub.  | 1 / 1             |             |                   |  |                   |             |  |           |    |   |  |               |          |       |       |  |    |      |      |      |   |  |              |  |         |       |   |  |                |             |      |       |
| <table border="1"> <tr> <td>Bestell-Nr.</td> <td>Anforderungsstufe</td> </tr> <tr> <td>Part-No.</td> <td>performance level</td> </tr> <tr> <td>Reference</td> <td>Niveau de qualite</td> </tr> </table> |                   | Bestell-Nr. | Anforderungsstufe | Part-No.   | performance level | Reference   | Niveau de qualite                            |           |    |   |  |               |          |       |       |  |    |      |      |      |   |  |              |  |         |       |   |  |                |             |      |       |
| Bestell-Nr.   | Anforderungsstufe |             |                   |  |                   |             |  |           |    |   |  |               |          |       |       |  |    |      |      |      |   |  |              |  |         |       |   |  |                |             |      |       |
| Part-No.  | performance level |             |                   |  |                   |             |  |           |    |   |  |               |          |       |       |  |    |      |      |      |   |  |              |  |         |       |   |  |                |             |      |       |
| Reference   | Niveau de qualite |             |                   |  |                   |             |  |           |    |   |  |               |          |       |       |  |    |      |      |      |   |  |              |  |         |       |   |  |                |             |      |       |