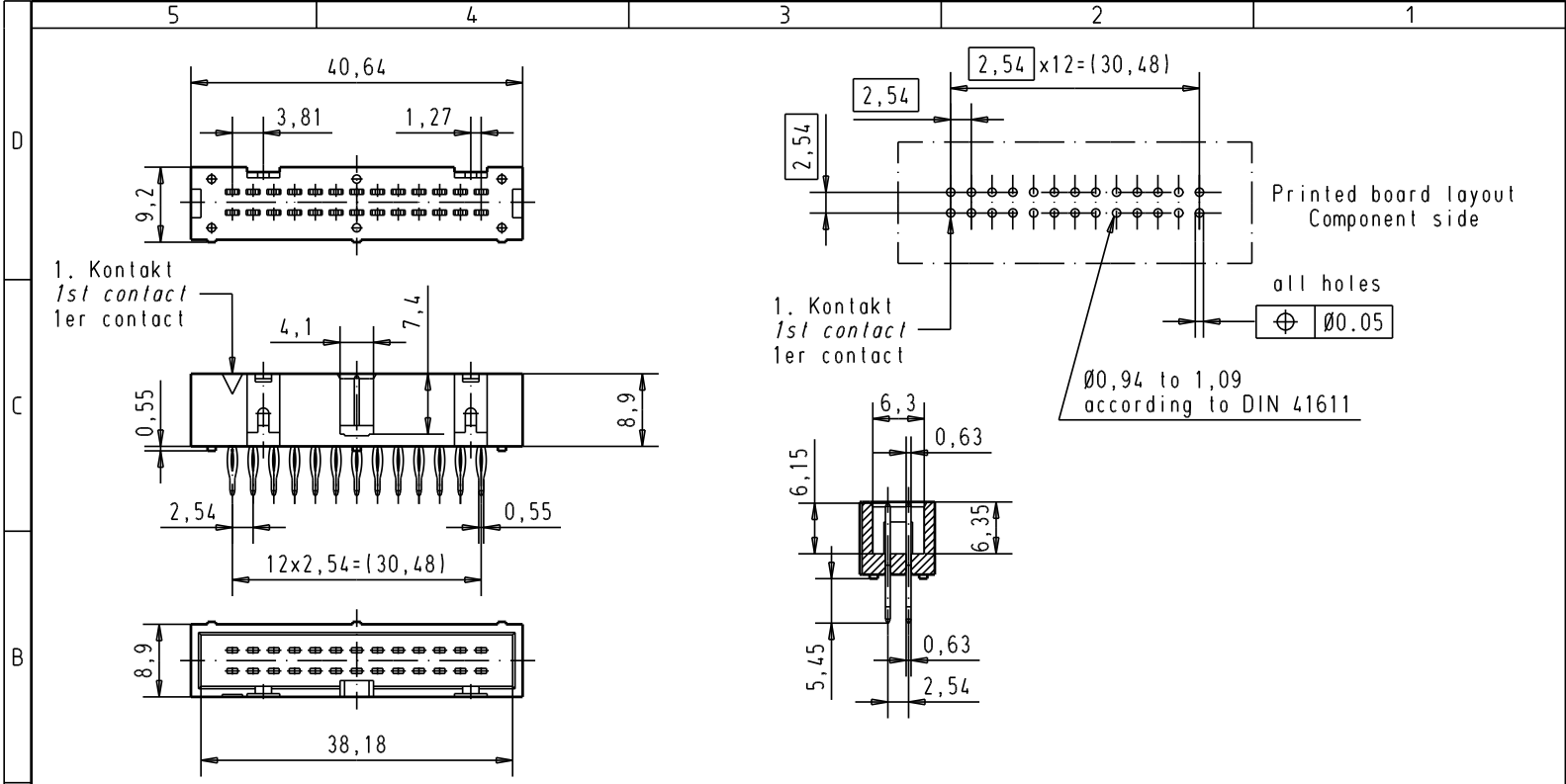


Alle Rechte vorbehalten / All rights reserved



		All Dimensions in mm Original Size DIN A 4		Techn. Character.			Nicht tolerierte Masse / Free size tolerances														
				<table border="1"> <tr> <th>Del.</th> <th>Name</th> </tr> <tr> <td>01-FEB-00</td> <td>JB</td> </tr> </table>		Del.	Name	01-FEB-00	JB	<table border="1"> <tr> <th>Masstab / Scale</th> </tr> <tr> <td>1,5:1</td> </tr> </table>	Masstab / Scale	1,5:1	SEK 18 Male connector								
Del.	Name																				
01-FEB-00	JB																				
Masstab / Scale																					
1,5:1																					
09185265329		0,76 um Au		Detail.		26 poles															
09185266329		2		Insp.		Low profile har.press															
09185267329		3		Stand.																	
Bestell-Nr. Part-No. Reference		Anforderungsstufe performance level Niveau de qualite		<table border="1"> <tr> <td>32154</td> <td>27/08/04</td> <td>TR</td> </tr> <tr> <td>26570</td> <td>01-FEB-00</td> <td>JB</td> </tr> <tr> <td>Mod.</td> <td>Dat.</td> <td>Name</td> </tr> </table>		32154	27/08/04	TR	26570	01-FEB-00	JB	Mod.	Dat.	Name	HARTING EURL F-95972 Paris		<table border="1"> <tr> <td>TB 0918526x329</td> <td rowspan="2">Blatt / page 1 / 1</td> </tr> <tr> <td>Sub.</td> </tr> </table>		TB 0918526x329	Blatt / page 1 / 1	Sub.
32154	27/08/04	TR																			
26570	01-FEB-00	JB																			
Mod.	Dat.	Name																			
TB 0918526x329	Blatt / page 1 / 1																				
Sub.																					