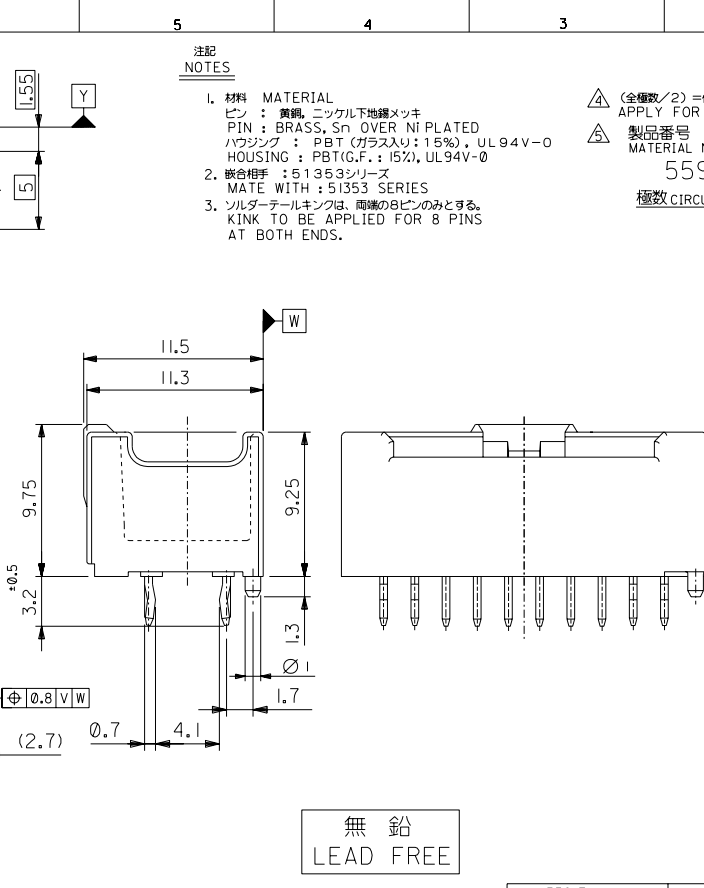
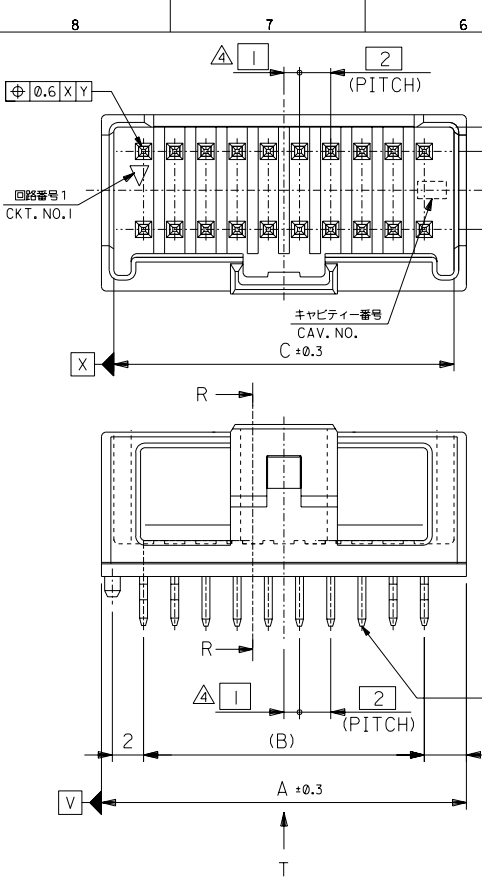


DWG. NO. SD-55917-003
DO NOT SCALE DRAWING



注記 NOTES

- 材料 MATERIAL
ピン : 黄銅, ニッケル下地メッキ
PIN : BRASS, Sn OVER NI PLATED
ハウジング : PBT (ガラス入り: 15%), UL94V-0
HOUSING : PBT (G.F.: 15%), UL94V-0
- 嵌合相手 : 51353シリーズ
MATE WITH : 51353 SERIES
- ソルダーテールキックは、両端の8ピンのみとする。
KINK TO BE APPLIED FOR 8 PINS AT BOTH ENDS.

△ (全種数/2) = 偶数の場合に適用。
APPLY FOR (CIRCUIT/2)=EVEN
△ 製品番号 MATERIAL NO.
55917-*** | *
極数 CIRCUIT SIZE | 色 COLOR

ナチュラル (白) NATURAL (WHITE)	0
黒 BLACK	1
赤 RED	2
黄 YELLOW	3
青 BLUE	4
桃 PINK	5
緑 GREEN	6
茶 BROWN	7
橙 ORANGE	8
紫 VIOLET	9

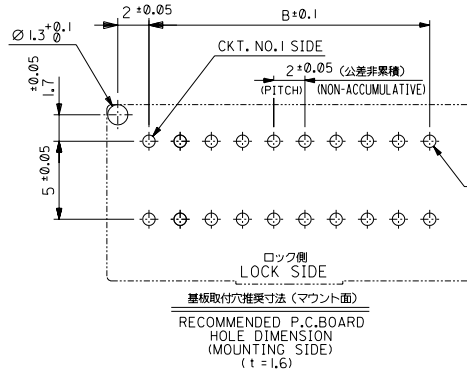
41.8	38	43.4	55917-40	40
39.8	36	41.4	-38	38
37.8	34	39.4	-36	36
35.8	32	37.4	-34	34
33.8	30	35.4	-32	32
31.8	28	33.4	-30	30
29.8	26	31.4	-28	28
27.8	24	29.4	-26	26
25.8	22	27.4	-24	24
23.8	20	25.4	-22	22
21.8	18	23.4	-20	20
19.8	16	21.4	-18	18
17.8	14	19.4	-16	16
15.8	12	17.4	-14	14
13.8	10	15.4	-12	12
11.8	8	13.4	-10	10
9.8	6	11.4	-8	8
C	B	A	△ MATERIAL NO.	CKT.

REVISED	E32NO. J2003-3290 DRAWN: ITO '03/06/26 CHK: K. ASAKAWA APPRT: Y. AMAGUCHI
REVISED	E33NO. J2003-3134 DRAWN: ITO '03/06/19 CHK: K. ASAKAWA APPRT: Y. AMAGUCHI
REVISED	E32NO. J2002-2307 DRAWN: ITO '02/03/18 CHK: K. ASAKAWA APPRT: Y. AMAGUCHI
REVISED	E31NO. J2002-1826 DRAWN: ITO '02/02/28 CHK: K. ASAKAWA APPRT: Y. AMAGUCHI
RELEASED	E30NO. J2002-1196 DRAWN: ITO '01/12/17 CHK: K. ASAKAWA APPRT: Y. AMAGUCHI

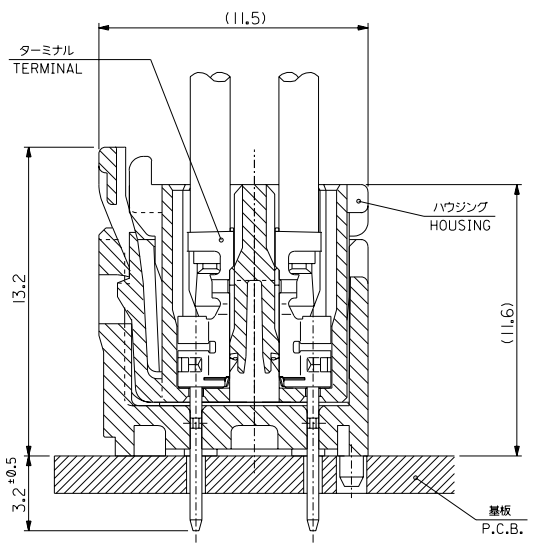
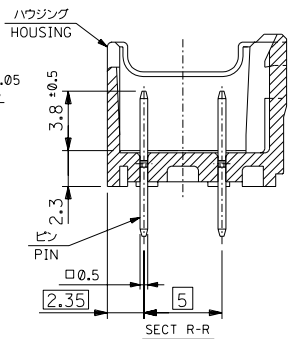
MATERIAL 材料	注記参照 SEE NOTES
FINISH 仕上り	//
WIRE RANGE 適用電線範囲	//
INS. RANGE 被覆外径	//

SCALE 55917-***	DESIGN UNITS mm INCH	MODEL NO. 55917-***	DIMENSIONS: mm INCH mm ONLY	SHT 1 OF 2	REV 2
DRAWN BY & DATE N. ITO '01/12/17	CHECKED BY & DATE K. ASAKAWA '03/06/26	APPROVED BY & DATE T. YAMAGUCHI '03/06/26	CAD FILENAME 55917003.S01	MATERIAL NO. SEE CHART	DRAWING NO. SD-55917-003
TITLE: 2.0mm W-t-B DUAL CONN DIP PLUG HOUSING ASS'Y ST (WITH BOSS)					
MOLEX INCORPORATED					
DRAWING CONTAINS INFORMATION THAT IS PROPRIETARY TO MOLEX INCORPORATED AND SHOULD NOT BE USED WITHOUT WRITTEN PERMISSION.					

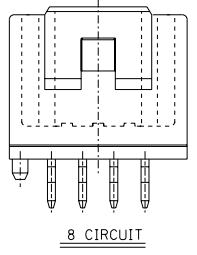
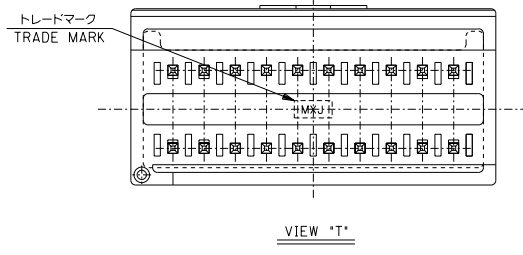
DWG. NO. SD-55917-003



推奨取付穴推奨寸法 (マウント面)
RECOMMENDED P.C.B. BOARD
HOLE DIMENSION
(MOUNTING SIDE)
(t=1.6)



嵌合断面図 (参考)
MATED DRAWING (REF.)



無鉛
LEAD FREE

DO NOT SCALE DRAWING

REVISED E32NO. J2003-3290 DRAWN: ITO '03/06/26 CHK: K. ASAKAWA APPRT: YAMAGUCHI	REVISED E33NO. J2003-3134 DRAWN: ITO '03/06/19 CHK: K. ASAKAWA APPRT: YAMAGUCHI	REVISED E32NO. J2002-2307 DRAWN: ITO '02/07/18 CHK: K. ASAKAWA APPRT: YAMAGUCHI	REVISED E31NO. J2002-1826 DRAWN: ITO '02/02/28 CHK: K. ASAKAWA APPRT: YAMAGUCHI	RELEASED E30NO. J2002-1196 DRAWN: ITO '01/12/17 CHK: K. ASAKAWA APPRT: YAMAGUCHI
---	---	---	---	--

MATERIAL 材料	注記参照 SEE NOTES
FINISH 仕上り	//
WIRE RANGE 適用電線範囲	//
INS. RANGE 被覆外径	//

GENERAL TOLERANCES: (UNLESS SPECIFIED) 一般公差	SCALE 4:1	DESIGN UNITS mm INCH	DRAWN BY & DATE N. ITO '01/12/17	CHECKED BY & DATE K. ASAKAWA '03/06/26	APPROVED BY & DATE T. YAMAGUCHI '03/06/26	CAD FILENAME 55917003.S02
10 UNDER 未満	+0.2					
10 OVER 以上	+0.25					
30 OVER 以上	+0.3					
ANGLE 角度	+3°					

MODEL NO. 55917-***	DIMENSIONS: mm INCH mm ONLY	SHT 2 OF 2	REV B
TITLE: 2.0mm W-t-B DUAL CONN DIP PLUG HOUSING ASS'Y ST (WITH BOSS)	MATERIAL NO. SEE CHART	DRAWING NO. SD-55917-003	SHEET NO. 2 OF 2
MOLEX INCORPORATED			
DRAWING CONTAINS INFORMATION THAT IS PROPRIETARY TO MOLEX INCORPORATED AND SHOULD NOT BE USED WITHOUT WRITTEN PERMISSION.			

EN-02(J097) MXJ-54