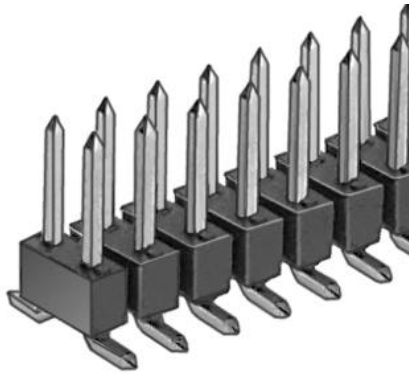
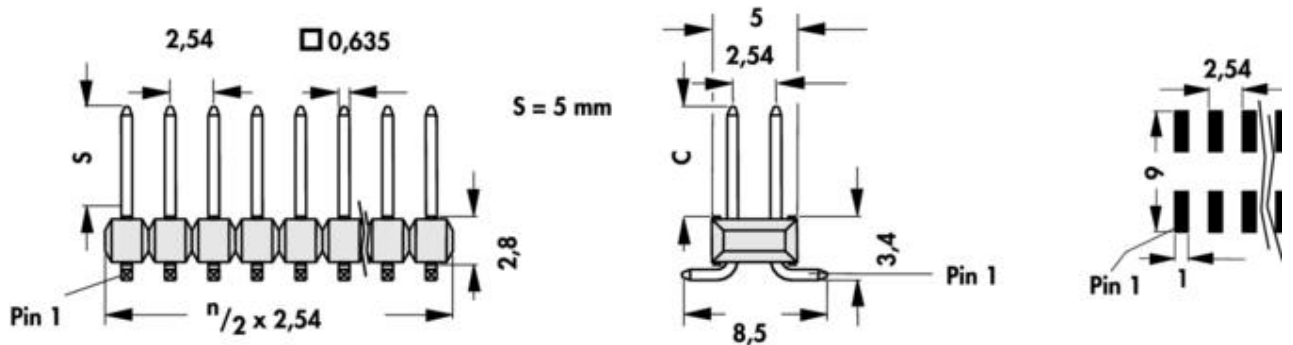


Male headers in SMD mounting / **SL 11 SMD 062**



**Parameters of article SL 11 SMD 062**

|                    |   |
|--------------------|---|
| version            | standard  |
| surface            | tin-plated  |
| number of rows     | 2   |
| no. of contacts    | 4 / 6 / 8 / 10 / 12 / 14 / 16 / 18 / 20 / 22 / 24 / ... / 40    |
| grid               | 2.54  |
| connection type    | SMD   |
| direction          | standing  |
| packing (option)   | bar magazine / pick and place pad and bar magazine / ... /reel) |
| soldering          | no  |
| male cross-section | square 0.635  |
| Reflow solderable  | yes   |



# Technical data PCB connectors

|   | SL 1-6, 10-22, SLK 3 + 4, SL LP 1-4, LB SL, UM SL                  |
|---|--|
| Contact material: shell                 | CuSn-alloy   |
| Contact surface of the shell: gold/tin  | Ni + 0,2 µm Au (thicker gold platings on request),<br>Ni + 6 µm Sn |
| Contact spring: material/surface        |  |
| Transition resistance:                  | ≤ 5 mOhm   |
| Shock resistance:                       |  |
| Vibration resistance max.:              |  |
| Capacity between two adjacent contacts: |  |
| Current rating:                         | 3 A  |
| Nominal voltage:                        | 250 V AC   |
| Test voltage:                           | 2000 V   |
| Insulator: material                     | PA 4.6, GF   |
| Temperature range:                      | -40 °C ... +163 °C (+260 °C 1 min.)                                |
| Flammability class:                     | UL 94 V-0  |
| Insulation resistance:                  | > 10 <sup>12</sup> Ohm   |
| Plugability for pins:                   |  |
| Insertion depth for pins:               |  |
| Insertion/Extraction, type:             | holding force:<br>> 7 N  |