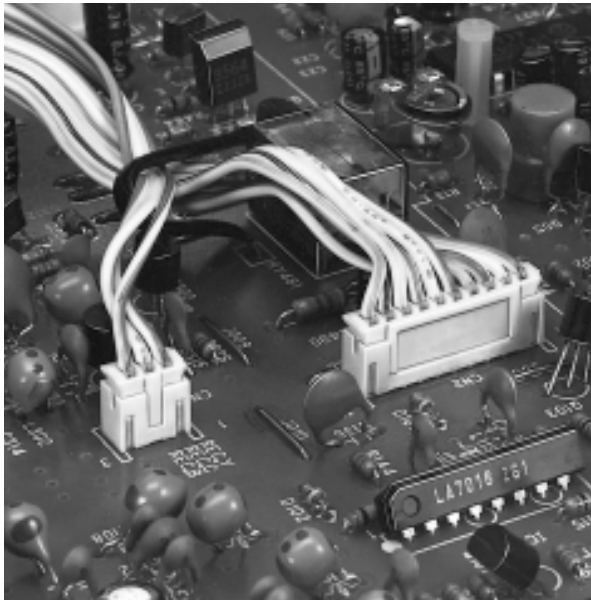
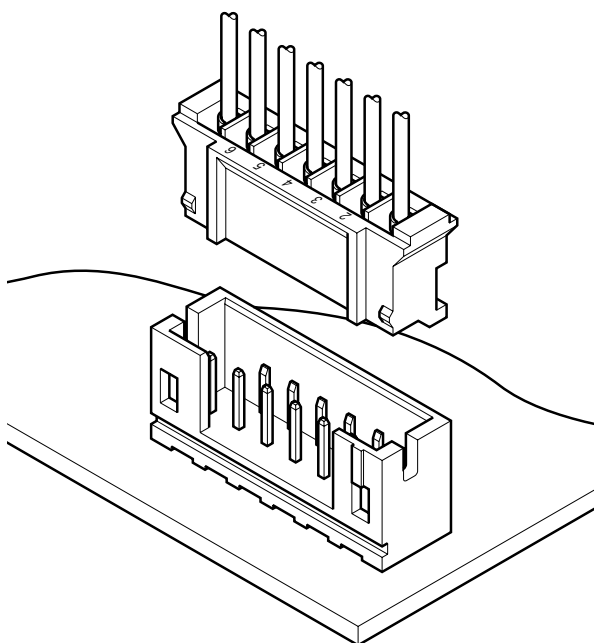


PH CONNECTOR

Disconnectable Crimp style connectors



This is a thin, low-profile 2.0mm (.079") pitch connector 7.5mm (.295") in height after mounting and 4.5mm (.177") in width. It is designed to meet the demand for high-density connection of internal wires to printed circuit boards. It is compact, highly reliable and low in cost.



Features

• **Reliable contact**

The contact has long dimples near the center to ensure a good connection at all times, even under conditions of vibration and mechanical abuse, and when used with low voltage and low current circuits.

• **Easy and effective crimping**

Although the contact is compact, it has a long wire strip holding length of 2.6 +/- 0.4mm (.102" +/- .016"). This long length simplifies automatic crimping and the crimping of shielded wires.

• **Fully shrouded header**

The fully shrouded header has walls on all four sides to prevent improper connection to the mating housing and to prevent the intrusion of flux and other contaminants.

• **High solderable square post**

The square post is copper-undercoated and tin/lead-plated for superior solderability and for whisker prevention.

• **Printed circuit board retention mechanism**

The solder side of the header has a retention mechanism that prevents it from floating during soldering. As a result, the header can be positioned accurately.

• **Compatible with the KR insulation displacement connector**

The same shrouded header can be used for either PH crimp-style connector or KR insulation displacement connector. This allows both types of connector to be used interchangeably without replacing the header.

• **Surface mount model (SMT)**

This connector is also available in a surface mount configuration. Its housing is made of heat resistant resin so that it is not adversely affected during reflow soldering. Because of its tiny size and ability to be surface mounted, this connector meets the demand for high-density mounting of components inside electronic products.

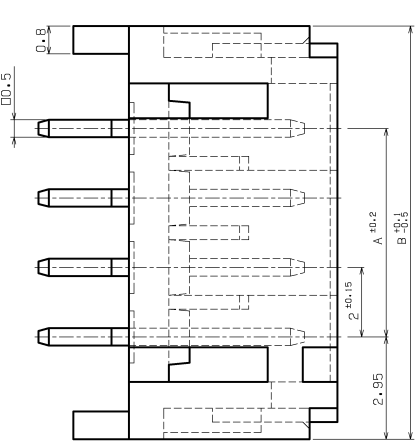
Specifications

- Current rating: 2A AC, DC (AWG #24)
- Voltage rating: 100V AC, DC
- Temperature range: -25°C to +85°C
(including temperature rise in applying electrical current)
- Contact resistance: Initial value/10m Ω max.
After environmental testing/20m Ω max.
- Insulation resistance: 1,000M Ω min.
- Withstanding voltage: 800V AC/minute
- Applicable wire: AWG #32 to #24
- Applicable PC board thickness: 0.8 to 1.6mm (.031" to .063")
- * Contact JST if Lead-Free product is required.
- * Refer to "General Instruction and Notice when using Terminals and Connectors" at the end of this catalog.
- * Contact JST for details.

Standards

- Recognized E60389
- 1 Certified LR20812
- 2 R75087

REV.	DESCRIPTION	DATE	DESIGNED
△			

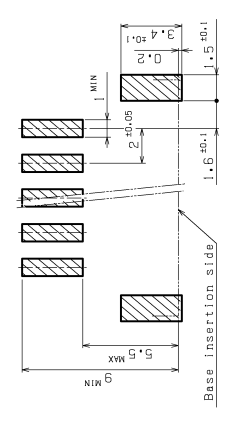
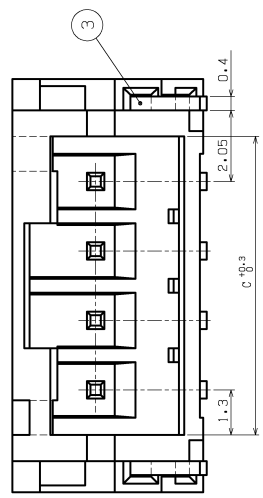
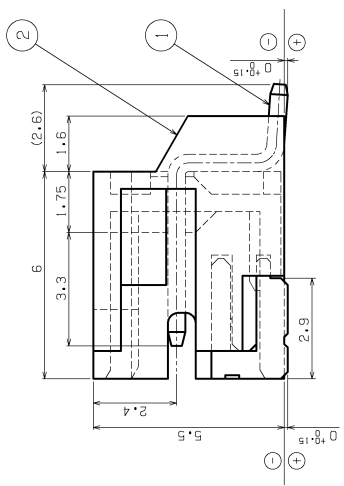


Part No.	Color
S () B-PH-SM4 (LF) (SN)	Natural
S () B-PH-SM4-K (LF) (SN)	Black
S () B-PH-SM4-L (LF) (SN)	Light yellow
S () B-PH-SM4-E (LF) (SN)	Blue
S () B-PH-SM4-M (LF) (SN)	Green
S () B-PH-SM4-R (LF) (SN)	Red

NOTE
 1. Unless otherwise specified, tolerances are ±0.3
 2. Coplanarity of solder tails shall be 0.1mm MAX.
 3. Bottoms of solder tails and reinforcements shall be lower than bottom of housing.

Circuits	Dimensions		
	A	B	C
2	2.0	7.9	4.6
3	4.0	9.9	6.6
4	6.0	11.9	8.6
5	8.0	13.9	10.6
6	10.0	15.9	12.6
7	12.0	17.9	14.6
8	14.0	19.9	16.6
9	16.0	21.9	18.6
10	18.0	23.9	20.6
11	20.0	25.9	22.6
12	22.0	27.9	24.6
13	24.0	29.9	26.6
14	26.0	31.9	28.6
15	28.0	33.9	30.6

Lock configuration of 2-circuit



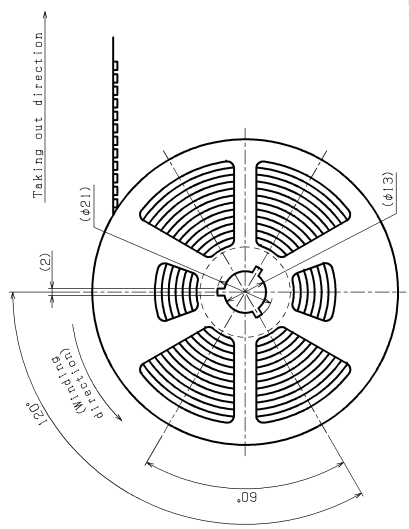
Pattern layout (From top view of mounted connector)

3	REINFORCEMENT	BRASS	COPPER-UNDERPLATED TIN-PLATED	UL-4
2	WAFER	MODIFIED 6T NYLON	COPPER-UNDERPLATED TIN-PLATED	UL94V-0
1	POST	COPPER ALLOY	COPPER-UNDERPLATED TIN-PLATED	DD-5
No.	PART NAME	MATERIAL	SURFACE FINISH	REMARKS
UNIT	SCALE	PROJECTION DATE	CUSTOMER	
A2	METRIC	10:1	DESIGNED	
APPROVED	CHECKED	DRAWN	SERIES NAME	PH/WR CONNECTOR SMT TYPE SIDE BASE
T.N	S.S	K.S	PART No.	S () B-PH-SM4- () (LF) (SN)
			DRAWING No.	KRD-33711
				RO

JST J. S. T. MFG. CO., LTD.

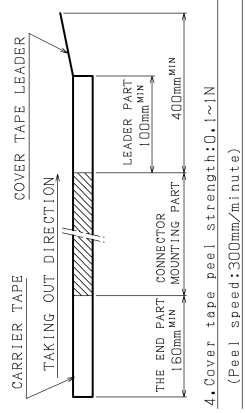
THIS DRAWING CONTAINS INFORMATION THAT IS PROPRIETARY TO J.S.T. AND SHOULD NOT BE USED WITHOUT WRITTEN PERMISSION.

REV. A	DESCRIPTION	DATE	DESIGNED
--------	-------------	------	----------

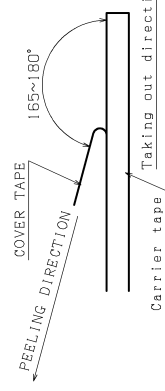


NOTE

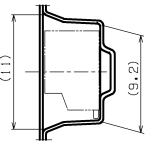
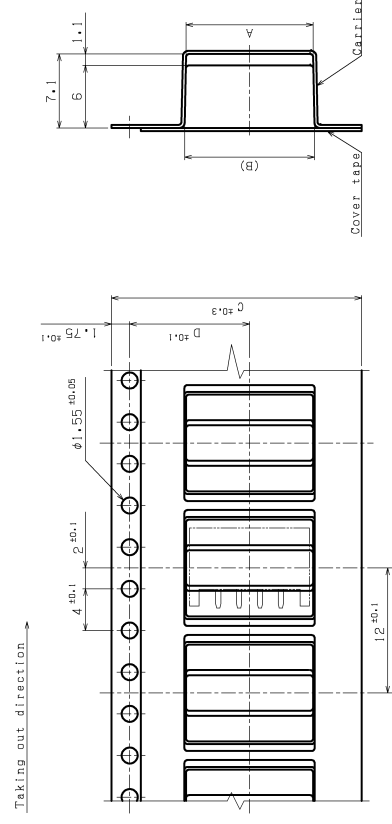
- 1.Connector part:See the DWG. of PH connector.
- 2.Quantity to be packaged:1000pcs/reel
- 3.Leading tape length.



4.Cover tape peel strength:0.1~1N
(Peel speed:300mm/minute)



- 5.Material:Carrier tape:Polyester(PET)
Cover tape :Polyester(PET)
Reel :Flange:Polystyrene(PS)
Core :Polypropylene(PP)
Polystyrene(PS)
- 6.Unless otherwise specified,
tolerances are ±0.3



Part No.	Color
S () B-PH-SM4-TB (LF) (SN)	Natural
S () B-PH-SM4-K-TB (LF) (SN)	Black
S () B-PH-SM4-L-TB (LF) (SN)	Lemon yellow
S () B-PH-SM4-E-TB (LF) (SN)	Blue
S () B-PH-SM4-M-TB (LF) (SN)	Green
S () B-PH-SM4-R-TB (LF) (SN)	Red

Circuits	Dimensions					
	A	B	C	D	F	F
2	8.25	8.65	16	7.5	17.5	17.5
3	10.25	10.65	16	7.5	17.5	17.5
4	12.25	12.65	24	11.5	25.5	25.5
5	14.25	14.65	24	11.5	25.5	25.5
6	16.25	16.65	24	11.5	25.5	25.5

No.	PART NAME	MATERIAL	SURFACE FINISH	REMARKS
SIZE	UNIT	SCALE	PROJECTION DATE	CUSTOMER
A2	METRIC	3:1	AUG. 3, 2004	
APPROVED	CHECKED	DESIGNED	DRAWN	
T.N	S.S	K.S	A.M	
				PH CONNECTOR EMBOSSED-TAPING
				S () B-PH-SM4- () -TB (LF) (SN)
				DRAWING No. KR0-33712
				RD



THIS DRAWING CONTAINS INFORMATION THAT IS PROPRIETARY TO J.S.T. AND SHOULD NOT BE USED WITHOUT WRITTEN PERMISSION.