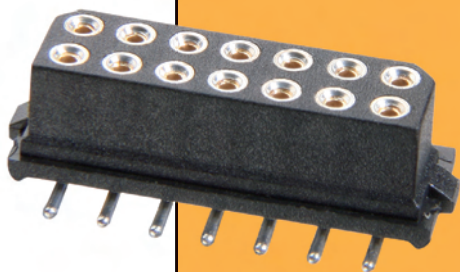


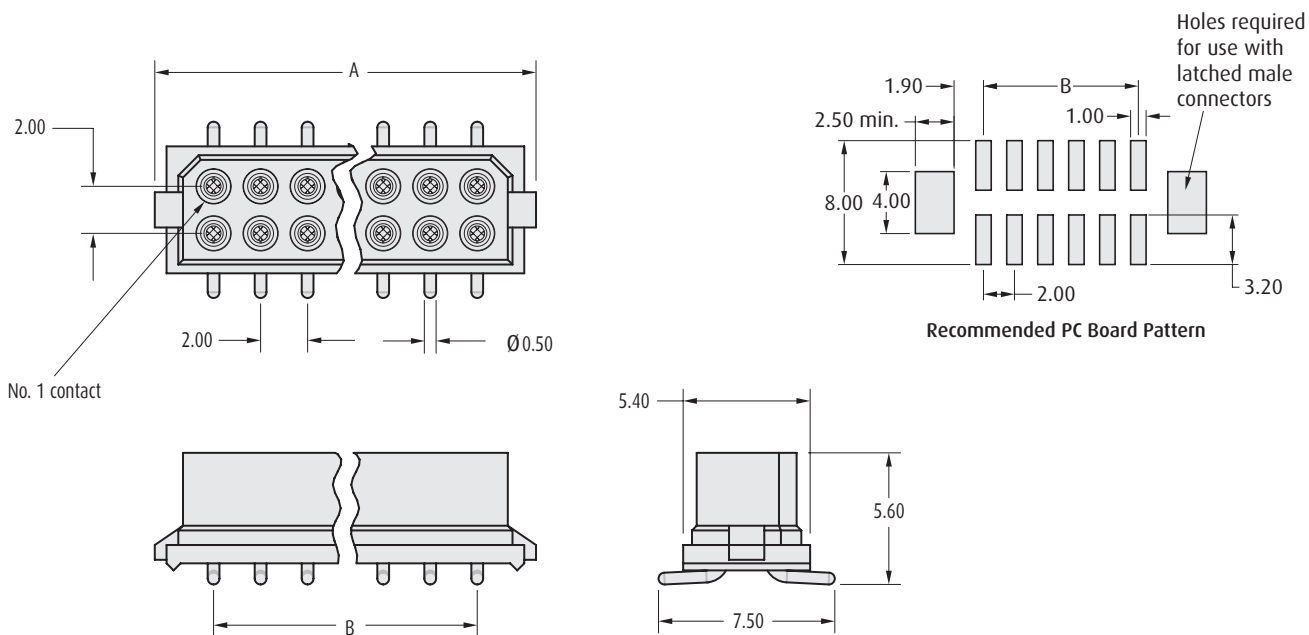
Datamate Connectors

Female Vertical Surface Mount



- ❖ Optional pick and place pad.
- ❖ Contact datamate@harwin.com for tape & reel options.
- ❖ Mates with male connectors on pages 21 to 25.
- ❖ Gull wing SMT tails simplify inspection process.

DOUBLE ROW



CALCULATION

A	$B + 5.15$
B	Total No. of contacts - 2

HOW TO ORDER

M80 - 681 XX XX P

SERIES CODE

TOTAL NO. OF CONTACTS

04, 06, 08, 10, 12, 14, 16, 18, 20, 26, 34, 44

PICK AND PLACE CAP

BLANK	No cap
P	Pick and place cap

FINISH

01	Gold + Tin/Lead	
42	Gold + Tin	
45	Gold	

www.harwin.com

All dimensions in mm.

