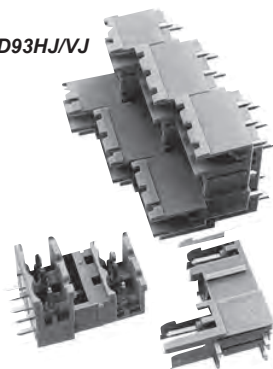


## 5.08mm pitch Double Deck plug-in Terminal Block

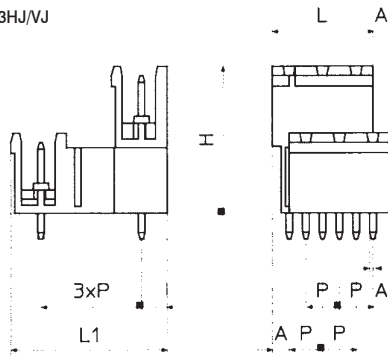
- Space saving
- Double deck
- 4 and 6 pole interlocking
- Open ended modules
- Professional rising clamp terminals
- Guided pin alignment
- Available pre-assembled
- Polarised mouldings
- approved

CTBDD93HJ/VJ series

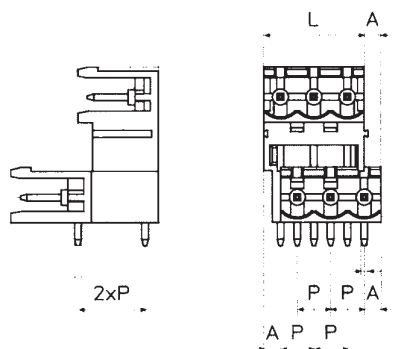


CTBDD93HJ/VJ

Vertical



Horizontal



P	L	A	L1	H
5.08	5.08pxp	2.54	23.54	22.16

5.08mm pitch vertical:		
Type No.	Poles	Length
CTBDD93VJ/2	4	12.7
CTBDD93VJ/3	6	17.78
CTBDD93VJ/4	8	22.86
CTBDD93VJ/5	10	27.94
CTBDD93VJ/6	12	33.02
CTBDD93VJ/7	14	38.1
CTBDD93VJ/8	16	43.18
CTBDD93VJ/9	18	48.26
CTBDD93VJ/10	20	53.34
CTBDD93VJ/11	22	58.42
CTBDD93VJ/12	24	63.5

5.08mm pitch horizontal:		
Type No.	Poles	Length
CTBDD93HJ/2	4	12.7
CTBDD93HJ/3	6	17.78
CTBDD93HJ/4	8	22.86
CTBDD93HJ/5	10	27.94
CTBDD93HJ/6	12	33.02
CTBDD93HJ/7	14	38.1
CTBDD93HJ/8	16	43.18
CTBDD93HJ/9	18	48.26
CTBDD93HJ/10	20	53.34
CTBDD93HJ/11	22	58.42
CTBDD93HJ/12	24	63.5

5mm pitch vertical:		
Type No.	Poles	Length
CTBDD93VG/2	4	12.5
CTBDD93VG/3	6	17.5
CTBDD93VG/4	8	22.5
CTBDD93VG/5	10	27.5
CTBDD93VG/6	12	32.5
CTBDD93VG/7	14	37.5
CTBDD93VG/8	16	42.5
CTBDD93VG/9	18	47.5
CTBDD93VG/10	20	52.5
CTBDD93VG/11	22	57.5
CTBDD93VG/12	24	62.5

5mm pitch horizontal:		
Type No.	Poles	Length
CTBDD93HG/2	4	12.5
CTBDD93HG/3	6	17.5
CTBDD93HG/4	8	22.5
CTBDD93HG/5	10	27.5
CTBDD93HG/6	12	32.5
CTBDD93HG/7	14	37.5
CTBDD93HG/8	16	42.5
CTBDD93HG/9	18	47.5
CTBDD93HG/10	20	52.5
CTBDD93HG/11	22	57.5
CTBDD93HG/12	24	62.5

Rating	12A/320V, UL=8A, CUL=8A, IMQ=12A
Dielectric strength	≥2.5kV
Impulse withstand voltage	4kV
Temperature	110°C
Moulding Green	UL94-V0 flame retardant PA
Pin	Tinned, nickel plated brass
Recommended PCB hole size	ø1.4mm



Tel: +44 (0)1638 716101 Fax: +44 (0)1638 716554  
 E-mail: camdeninfo@camdenelec.com Website: www.camdenelec.com  
 E-mail: enquiry@boss-enclosures.co.uk Web: www.boss-enclosures.co.uk

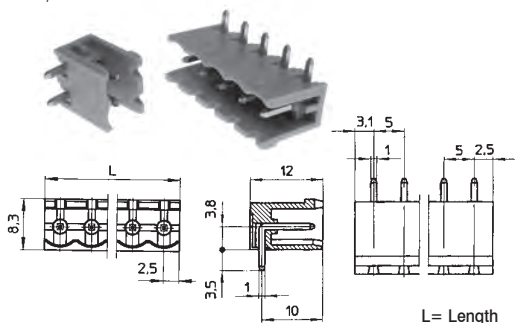
Because we operate a constant improvement policy, our products are subject to change without notice.



FM28614  
BS EN ISO  
9001:  
2000

## PCB mounting male horizontal (open ended)

CTB9350/- AO Series



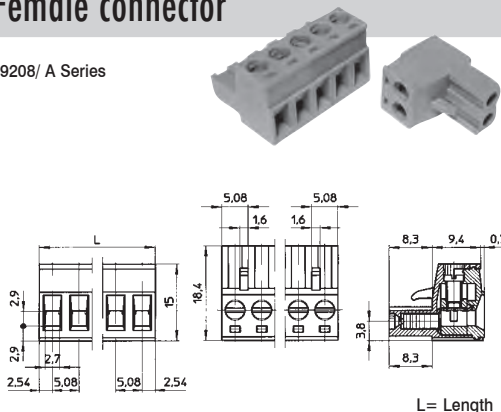
Type No.	Poles	Length	Type No.	Poles	Length
CTB9350/2AO	2	10mm	CTB9350/14AO	14	70mm
CTB9350/3AO	3	15mm	CTB9350/15AO	15	75mm
CTB9350/4AO	4	20mm	CTB9350/16AO	16	80mm
CTB9350/5AO	5	25mm	CTB9350/17AO	17	85mm
CTB9350/6AO	6	30mm	CTB9350/18AO	18	90mm
CTB9350/7AO	7	35mm	CTB9350/19AO	19	95mm
CTB9350/8AO	8	40mm	CTB9350/20AO	20	100mm
CTB9350/9AO	9	45mm	CTB9350/21AO	21	105mm
CTB9350/10AO	10	50mm	CTB9350/22AO	22	110mm
CTB9350/11AO	11	55mm	CTB9350/23AO	23	115mm
CTB9350/12AO	12	60mm	CTB9350/24AO	24	120mm
CTB9350/13AO	13	65mm			

## 5.08mm Pitch Plug-in Rising Clamp Terminal

- 2-24 pole solid block
- Plug in
- Open & closed headers
- Horizontal female plug style
- Polarised mouldings
- Moulded in green
- UL94-V0 flame retardant PA
- Professional rising clamp terminals
- 2.5mm<sup>2</sup> cable entry
- CE, RoHS, REACH approved
- Anti solder wicking
- Captive screws
- Guided pin alignment

### Female connector

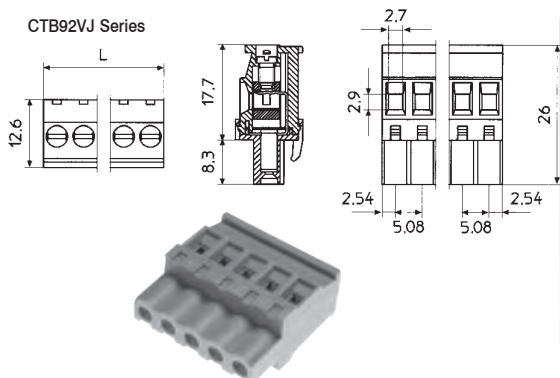
CTB9208/ A Series



Type No.	Poles	Length	Type No.	Poles	Length
CTB9208/2	2	10.16mm	CTB9208/14	14	71.12mm
CTB9208/3	3	15.24mm	CTB9208/15	15	76.2mm
CTB9208/4	4	20.32mm	CTB9208/16	16	81.28mm
CTB9208/5	5	25.4mm	CTB9208/17	17	86.36mm
CTB9208/6	6	30.48mm	CTB9208/18	18	91.44mm
CTB9208/7	7	35.56mm	CTB9208/19	19	96.52mm
CTB9208/8	8	40.64mm	CTB9208/20	20	101.6mm
CTB9208/9	9	45.72mm	CTB9208/21	21	106.68mm
CTB9208/10	10	50.8mm	CTB9208/22	22	111.76mm
CTB9208/11	11	55.88mm	CTB9208/23	23	116.84mm
CTB9208/12	12	60.96mm	CTB9208/24	24	121.92mm
CTB9208/13	13	66.04mm			

## Vertical female connector (standard)

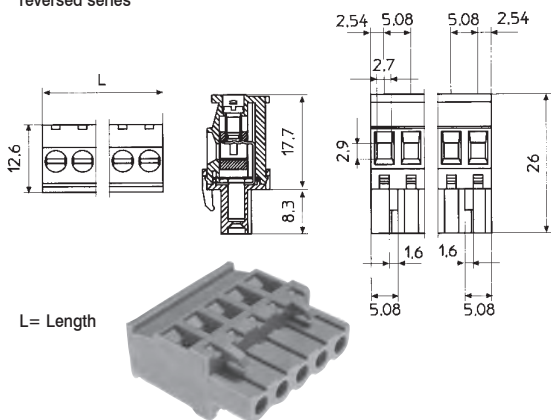
CTB92VJ Series



Type No.	Poles	Length	Type No.	Poles	Length
CTB92VJ/2S	2	10.16mm	CTB92VJ/14S	14	71.12mm
CTB92VJ/3S	3	15.24mm	CTB92VJ/15S	15	76.2mm
CTB92VJ/4S	4	20.32mm	CTB92VJ/16S	16	81.28mm
CTB92VJ/5S	5	25.4mm	CTB92VJ/17S	17	86.36mm
CTB92VJ/6S	6	30.48mm	CTB92VJ/18S	18	91.44mm
CTB92VJ/7S	7	35.56mm	CTB92VJ/19S	19	96.52mm
CTB92VJ/8S	8	40.64mm	CTB92VJ/20S	20	101.6mm
CTB92VJ/9S	9	45.72mm	CTB92VJ/21S	21	106.68mm
CTB92VJ/10S	10	50.8mm	CTB92VJ/22S	22	111.76mm
CTB92VJ/11S	11	55.88mm	CTB92VJ/23S	23	116.84mm
CTB92VJ/12S	12	60.96mm	CTB92VJ/24S	24	121.92mm
CTB92VJ/13S	13	66.04mm			

## Vertical female connector (reversed)

CTB92VJ  
reversed series



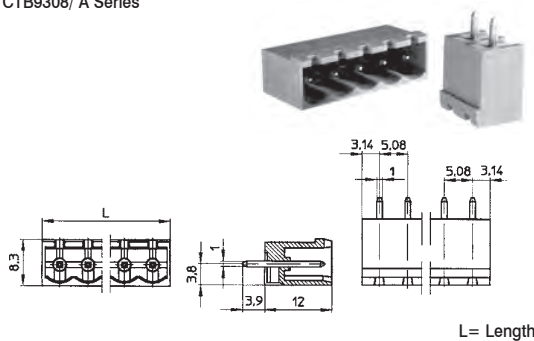
L= Length

Type No.	Poles	Length
CTB92VJ/2R	2	10.16mm
CTB92VJ/3R	3	15.24mm
CTB92VJ/4R	4	20.32mm
CTB92VJ/5R	5	25.4mm
CTB92VJ/6R	6	30.48mm
CTB92VJ/7R	7	35.56mm
CTB92VJ/8R	8	40.64mm
CTB92VJ/9R	9	45.72mm
CTB92VJ/10R	10	50.8mm
CTB92VJ/11R	11	55.88mm
CTB92VJ/12R	12	60.96mm
CTB92VJ/13R	13	66.04mm

Type No.	Poles	Length
CTB92VJ/14R	14	71.12mm
CTB92VJ/15R	15	76.2mm
CTB92VJ/16R	16	81.28mm
CTB92VJ/17R	17	86.36mm
CTB92VJ/18R	18	91.44mm
CTB92VJ/19R	19	96.52mm
CTB92VJ/20R	20	101.6mm
CTB92VJ/21R	21	106.68mm
CTB92VJ/22R	22	111.76mm
CTB92VJ/23R	23	116.84mm
CTB92VJ/24R	24	121.92mm

## PCB mounting male vertical (closed end)

CTB9308/ A Series



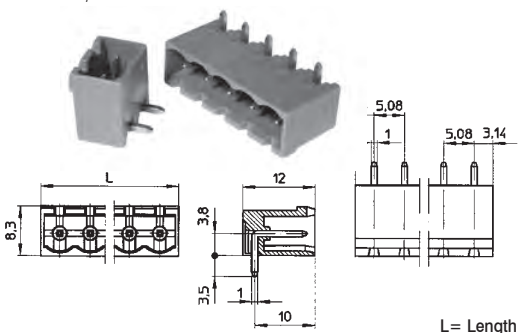
L= Length

Type No.	Poles	Length
CTB9308/2	2	11.36mm
CTB9308/3	3	16.44mm
CTB9308/4	4	21.52mm
CTB9308/5	5	26.6mm
CTB9308/6	6	31.68mm
CTB9308/7	7	36.76mm
CTB9308/8	8	41.84mm
CTB9308/9	9	46.92mm
CTB9308/10	10	52mm
CTB9308/11	11	57.08mm
CTB9308/12	12	62.16mm
CTB9308/13	13	67.24mm

Type No.	Poles	Length
CTB9308/14	14	72.32mm
CTB9308/15	15	77.4mm
CTB9308/16	16	82.48mm
CTB9308/17	17	87.56mm
CTB9308/18	18	92.64mm
CTB9308/19	19	97.72mm
CTB9308/20	20	102.8mm
CTB9308/21	21	107.88mm
CTB9308/22	22	112.96mm
CTB9308/23	23	118.04mm
CTB9308/24	24	123.12mm

## PCB mounting male horizontal (closed end)

CTB9358/- A Series



L= Length

Type No.	Poles	Length
CTB9358/2	2	11.36mm
CTB9358/3	3	16.44mm
CTB9358/4	4	21.52mm
CTB9358/5	5	26.6mm
CTB9358/6	6	31.68mm
CTB9358/7	7	36.76mm
CTB9358/8	8	41.84mm
CTB9358/9	9	46.92mm
CTB9358/10	10	52mm
CTB9358/11	11	57.08mm
CTB9358/12	12	62.16mm
CTB9358/13	13	67.24mm

Type No.	Poles	Length
CTB9358/14	14	72.32mm
CTB9358/15	15	77.4mm
CTB9358/16	16	82.48mm
CTB9358/17	17	87.56mm
CTB9358/18	18	92.64mm
CTB9358/19	19	97.72mm
CTB9358/20	20	102.8mm
CTB9358/21	21	107.88mm
CTB9358/22	22	112.96mm
CTB9358/23	23	118.04mm
CTB9358/24	24	123.12mm

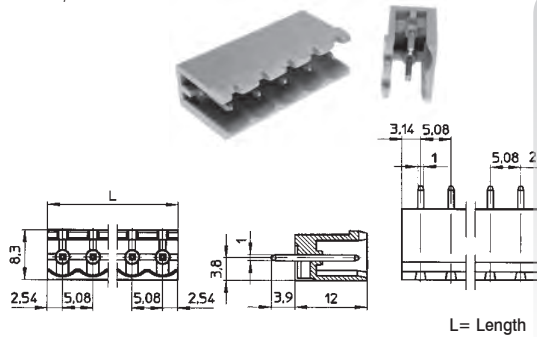
## 5.08mm Pitch Plug-in Rising Clamp Terminal

Rating	12A/320V, UL=12A, CUL=12A, IMQ=12A
Dielectric strength	≥2.5kV
Impulse withstand voltage	4kV
Working temperature	110°C
Moulding	UL94-V0 flame retardant PA

Pin/terminal	Tinned brass
Rising clamp	Nickel copper flash brass
Screw/torque	M3 steel, zinc, colour plated/0.5Nm
Recommended PCB hole size	ø1.4mm

## PCB mounting male vertical (open ended)

CTB9308/- AO Series

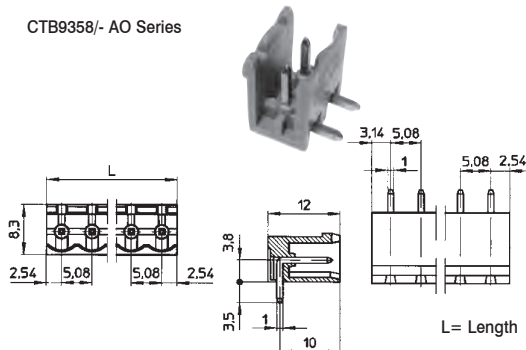


Type No.	Poles	Length
CTB9308/2AO	2	10.16mm
CTB9308/3AO	3	15.24mm
CTB9308/4AO	4	20.32mm
CTB9308/5AO	5	25.4mm
CTB9308/6AO	6	30.48mm
CTB9308/7AO	7	35.56mm
CTB9308/8AO	8	40.64mm
CTB9308/9AO	9	45.72mm
CTB9308/10AO	10	50.8mm
CTB9308/11AO	11	55.88mm
CTB9308/12AO	12	60.96mm
CTB9308/13AO	13	66.04mm

Type No.	Poles	Length
CTB9308/14AO	14	71.12mm
CTB9308/15AO	15	76.2mm
CTB9308/16AO	16	81.28mm
CTB9308/17AO	17	86.36mm
CTB9308/18AO	18	91.44mm
CTB9308/19AO	19	96.52mm
CTB9308/20AO	20	101.6mm
CTB9308/21AO	21	106.68mm
CTB9308/22AO	22	111.76mm
CTB9308/23AO	23	116.84mm
CTB9308/24AO	24	121.92mm

## PCB mounting male horizontal (open ended)

CTB9358/- AO Series



Type No.	Poles	Length
CTB9358/2AO	2	10.16mm
CTB9358/3AO	3	15.24mm
CTB9358/4AO	4	20.32mm
CTB9358/5AO	5	25.4mm
CTB9358/6AO	6	30.48mm
CTB9358/7AO	7	35.56mm
CTB9358/8AO	8	40.64mm
CTB9358/9AO	9	45.72mm
CTB9358/10AO	10	50.8mm
CTB9358/11AO	11	55.88mm
CTB9358/12AO	12	60.96mm
CTB9358/13AO	13	66.04mm

Type No.	Poles	Length
CTB9358/14AO	14	71.12mm
CTB9358/15AO	15	76.2mm
CTB9358/16AO	16	81.28mm
CTB9358/17AO	17	86.36mm
CTB9358/18AO	18	91.44mm
CTB9358/19AO	19	96.52mm
CTB9358/20AO	20	101.6mm
CTB9358/21AO	21	106.68mm
CTB9358/22AO	22	111.76mm
CTB9358/23AO	23	116.84mm
CTB9358/24AO	24	121.92mm