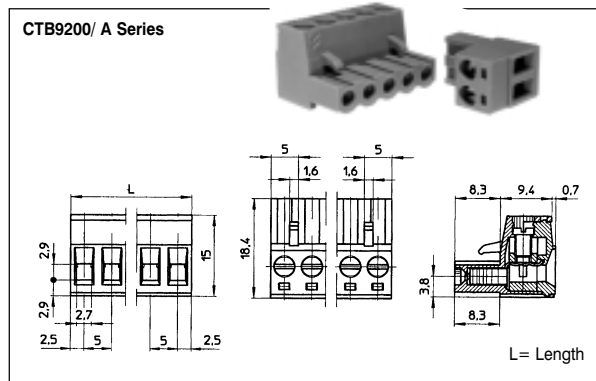


5mm Pitch **Plug-in** Rising Clamp Terminal

Features

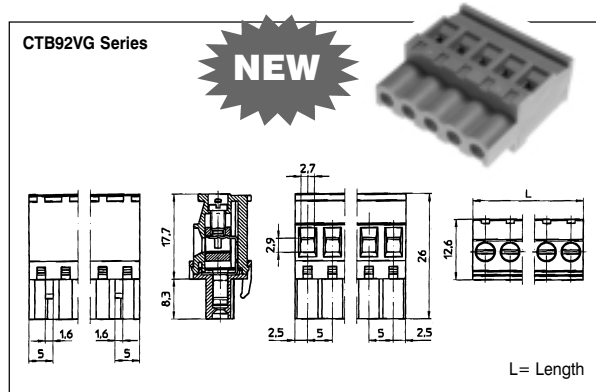
- 2-24 pole solid block
- Plug in
- Open & closed headers
- Horizontal female plug style
- Polarised mouldings
- Moulded in green UL94-V0 flame retardant PA66
- Professional rising clamp terminals
- 2.5mm² cable entry
- cUL, UL, CE, CE approved
- Anti solder wicking
- Captive screws
- Guided pin alignment

Female connector



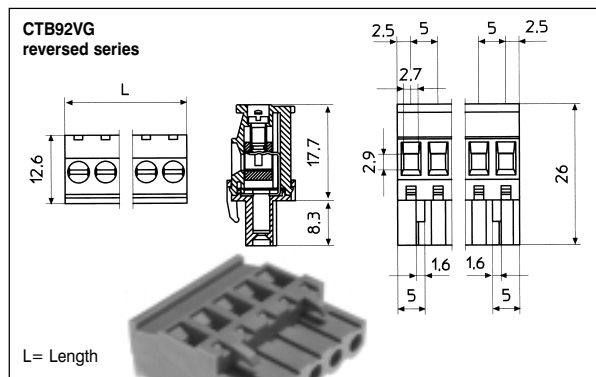
Type No.	Poles	Length	Type No.	Poles	Length
CTB9200/2A	2	10mm	CTB9200/14A	14	70mm
CTB9200/3A	3	15mm	CTB9200/15A	15	75mm
CTB9200/4A	4	20mm	CTB9200/16A	16	80mm
CTB9200/5A	5	25mm	CTB9200/17A	17	85mm
CTB9200/6A	6	30mm	CTB9200/18A	18	90mm
CTB9200/7A	7	35mm	CTB9200/19A	19	95mm
CTB9200/8A	8	40mm	CTB9200/20A	20	100mm
CTB9200/9A	9	45mm	CTB9200/21A	21	105mm
CTB9200/10A	10	50mm	CTB9200/22A	22	110mm
CTB9200/11A	11	55mm	CTB9200/23A	23	115mm
CTB9200/12A	12	60mm	CTB9200/24A	24	120mm
CTB9200/13A	13	65mm			

Vertical female connector (standard)



Type No.	Poles	Length	Type No.	Poles	Length
CTB92VG/2S	2	10mm	CTB92VG/14S	14	70mm
CTB92VG/3S	3	15mm	CTB92VG/15S	15	75mm
CTB92VG/4S	4	20mm	CTB92VG/16S	16	80mm
CTB92VG/5S	5	25mm	CTB92VG/17S	17	85mm
CTB92VG/6S	6	30mm	CTB92VG/18S	18	90mm
CTB92VG/7S	7	35mm	CTB92VG/19S	19	95mm
CTB92VG/8S	8	40mm	CTB92VG/20S	20	100mm
CTB92VG/9S	9	45mm	CTB92VG/21S	21	105mm
CTB92VG/10S	10	50mm	CTB92VG/22S	22	110mm
CTB92VG/11S	11	55mm	CTB92VG/23S	23	115mm
CTB92VG/12S	12	60mm	CTB92VG/24S	24	120mm
CTB92VG/13S	13	65mm			

Vertical female connector (reversed)



Type No.	Poles	Length	Type No.	Poles	Length
CTB92VG/2R	2	10mm	CTB92VG/14R	14	70mm
CTB92VG/3R	3	15mm	CTB92VG/15R	15	75mm
CTB92VG/4R	4	20mm	CTB92VG/16R	16	80mm
CTB92VG/5R	5	25mm	CTB92VG/17R	17	85mm
CTB92VG/6R	6	30mm	CTB92VG/18R	18	90mm
CTB92VG/7R	7	35mm	CTB92VG/19R	19	95mm
CTB92VG/8R	8	40mm	CTB92VG/20R	20	100mm
CTB92VG/9R	9	45mm	CTB92VG/21R	21	105mm
CTB92VG/10R	10	50mm	CTB92VG/22R	22	110mm
CTB92VG/11R	11	55mm	CTB92VG/23R	23	115mm
CTB92VG/12R	12	60mm	CTB92VG/24R	24	120mm
CTB92VG/13R	13	65mm			

PCB
TERMINAL
BLOCKSFUSES &
FUSE-
HOLDERS

BATTERIES

LED'S

MINIATURE
SWITCHESINTERFACE
MODULES &
SUPPORTS

ENCLOSURES

IC & PLCC
SOCKETSRELAY
BASESCONTROL
PRODUCTSFM28614
BS EN ISO 9002:
1994

Tel: +44 (0)1727 864437 Fax: +44 (0)1727 855400

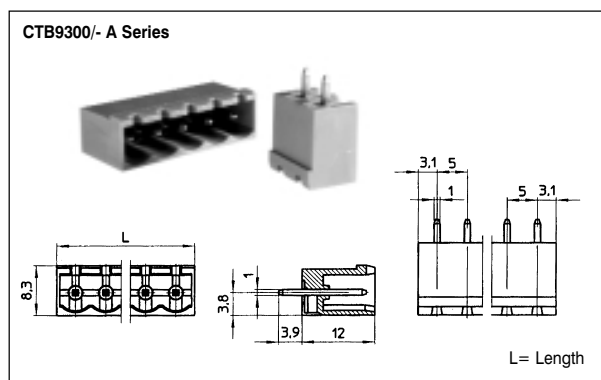
E-mail: info@camden-electronics.co.uk Website: www.camden-electronics.co.uk

Because we operate a constant improvement policy, our products are subject to change without notice.

CAMDEN
E L E C T R O N I C S L T D

5mm Pitch **Plug-in** Rising Clamp Terminal

PCB mounting male vertical (closed ended)



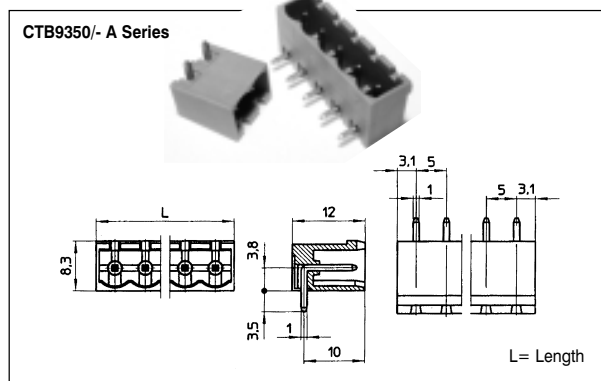
Type No.	Poles	Length	Type No.	Poles	Length
CTB9300/2A	2	11.2mm	CTB9300/14A	14	71.2mm
CTB9300/3A	3	16.2mm	CTB9300/15A	15	76.2mm
CTB9300/4A	4	21.2mm	CTB9300/16A	16	81.2mm
CTB9300/5A	5	26.2mm	CTB9300/17A	17	86.2mm
CTB9300/6A	6	31.2mm	CTB9300/18A	18	91.2mm
CTB9300/7A	7	36.2mm	CTB9300/19A	19	96.2mm
CTB9300/8A	8	41.2mm	CTB9300/20A	20	101.2mm
CTB9300/9A	9	46.2mm	CTB9300/21A	21	106.2mm
CTB9300/10A	10	51.2mm	CTB9300/22A	22	111.2mm
CTB9300/11A	11	56.2mm	CTB9300/23A	23	116.2mm
CTB9300/12A	12	61.2mm	CTB9300/24A	24	121.2mm
CTB9300/13A	13	66.2mm			

Specification

Rating	12A/380V
Dielectric strength	≥ 2.5kV/60sec
Insulation resistance	≥ 5MΩ
Working temperature	-20°C to 125°C
Short period	160°C
Moulding	UL94-V0 flame retardant PA66

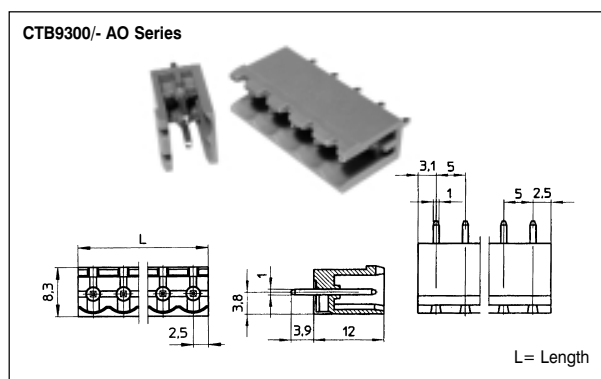
Pin/terminal	5μ tinned phosphor bronze
Rising clamp	5μ nickel copper flash brass
Screw/torque	M3 steel, 6μ zinc, colour passivated and tropicalised/0.5Nm
Recommended PCB hole size	ø1.4mm

PCB mounting male horizontal (closed ended)



Type No.	Poles	Length	Type No.	Poles	Length
CTB9350/2A	2	11.2mm	CTB9350/14A	14	71.2mm
CTB9350/3A	3	16.2mm	CTB9350/15A	15	76.2mm
CTB9350/4A	4	21.2mm	CTB9350/16A	16	81.2mm
CTB9350/5A	5	26.2mm	CTB9350/17A	17	86.2mm
CTB9350/6A	6	31.2mm	CTB9350/18A	18	91.2mm
CTB9350/7A	7	36.2mm	CTB9350/19A	19	96.2mm
CTB9350/8A	8	41.2mm	CTB9350/20A	20	101.2mm
CTB9350/9A	9	46.2mm	CTB9350/21A	21	106.2mm
CTB9350/10A	10	51.2mm	CTB9350/22A	22	111.2mm
CTB9350/11A	11	56.2mm	CTB9350/23A	23	116.2mm
CTB9350/12A	12	61.2mm	CTB9350/24A	24	121.2mm
CTB9350/13A	13	66.2mm			

PCB mounting male vertical (open ended)



Type No.	Poles	Length	Type No.	Poles	Length
CTB9300/2AO	2	10mm	CTB9300/14AO	14	70mm
CTB9300/3AO	3	15mm	CTB9300/15AO	15	75mm
CTB9300/4AO	4	20mm	CTB9300/16AO	16	80mm
CTB9300/5AO	5	25mm	CTB9300/17AO	17	85mm
CTB9300/6AO	6	30mm	CTB9300/18AO	18	90mm
CTB9300/7AO	7	35mm	CTB9300/19AO	19	95mm
CTB9300/8AO	8	40mm	CTB9300/20AO	20	100mm
CTB9300/9AO	9	45mm	CTB9300/21AO	21	105mm
CTB9300/10AO	10	50mm	CTB9300/22AO	22	110mm
CTB9300/11AO	11	55mm	CTB9300/23AO	23	115mm
CTB9300/12AO	12	60mm	CTB9300/24AO	24	120mm
CTB9300/13AO	13	65mm			