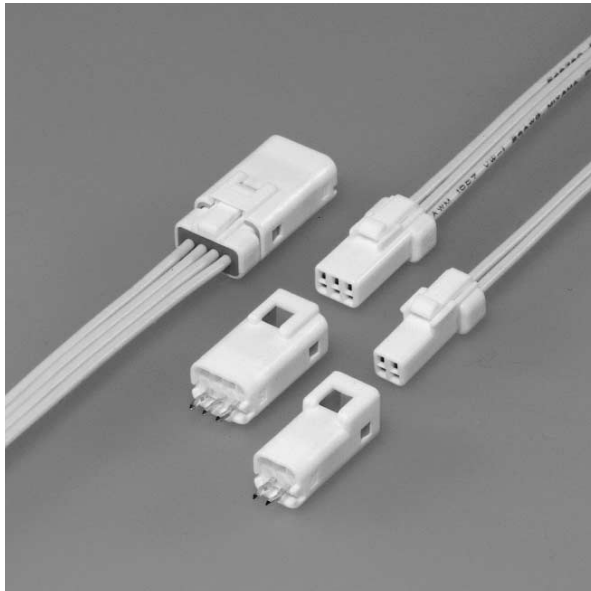
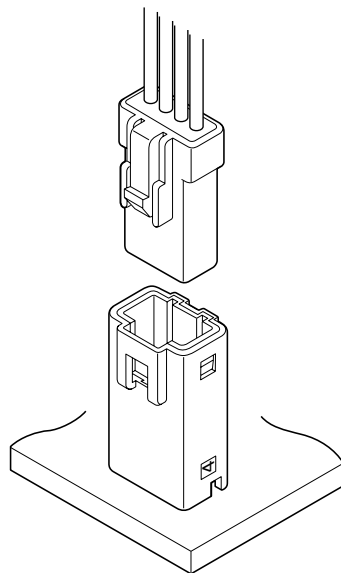


JWPF CONNECTOR

Disconnectable Crimp style connectors



Applicable for waterproof usage. Its waterproof grade is more than 7 ingress protection of JIC C 0920. (IP 67 of IEC 60529)



- * Contact JST if Lead-Free product is required.
- * Refer to "General Instruction and Notice when using Terminals and Connectors" at the end of this catalog.
- * Contact JST for details.

Standards

Recognized E60389

Features

• Waterproof performance

More than grade 7 ingress protection of JIC C 0920. (IP 67 of IEC 60529)

• Contained seal ring

Seal ring is applied for complete sealing at mating side that is contained in header, which protects from dust, scratch, etc.

• Solid rubber seal

Solid rubber seal is used for wire side sealing that makes the size compact.

• Double-spring construction

Contact has double-spring construction, main spring and assist spring, that ensures superior contact force.

• Housing-to-terminal locks

Spring action housing-to-terminal locks are inherent part of the housing, and assure smooth contact insertion and firm contact retention yet with low insertion force.

• Inner housing lock

This inner housing lock secures the plug to the receptacles and prevents accidental disconnection. The lock with protector on both sides is protected and is not affected by external forces that might result from the routing of wires.

• Interchangeability

Designed to accept wire-to-wire type JWPF connector receptacle.

• Header for use specifically with resin coated ("potted") PC board

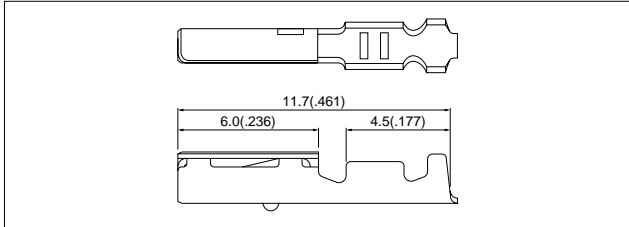
This header is tall and fully shrouded so as to prevent the resin used to coat the PC board from coming into contact with the mating pins.

Specifications

- Current rating: 3A AC, DC (AWG #22)
- Voltage rating: 100V AC, DC
- Temperature range: -40°C to +85°C
(including temperature rise in applying electrical current)
- Contact resistance: Initial value/5m Ω max.
After environmental testing/10m Ω max.
- Insulation resistance: 800M Ω min.
- Withstanding voltage: 1,000V AC/minute
- Applicable wire: AWG #26 to #22
0.13 to 0.33mm²
Insulation O.D./1.4 to 1.6mm (.055" to .063")
- Waterproof grade: More than grade 7 ingress protection of JIS C 0920(IP 67 of IEC 60529)

JWPF CONNECTOR

Contact

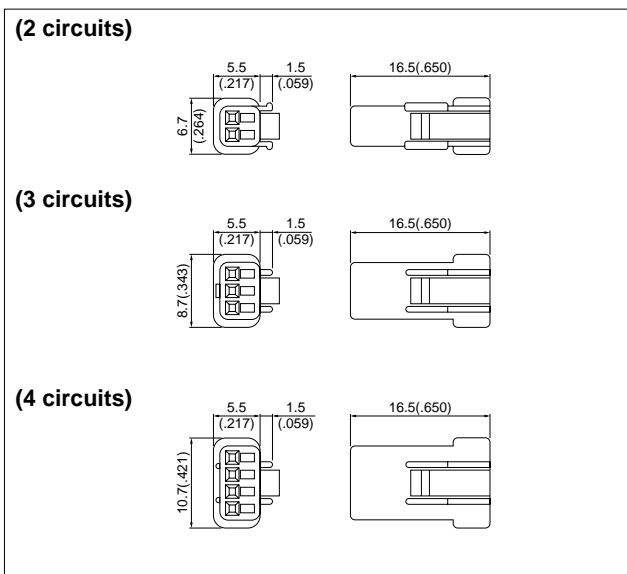


Model No.	Applicable wire			Q'ty / reel
	mm ²	AWG#	Insulation O.D. mm(in.)	
SWPR-001T-P025	0.13 to 0.33	26 to 22	1.4 to 1.6(.055 to .063)	8,200

Material and Finish

Phosphor bronze, tin-plated

Housing



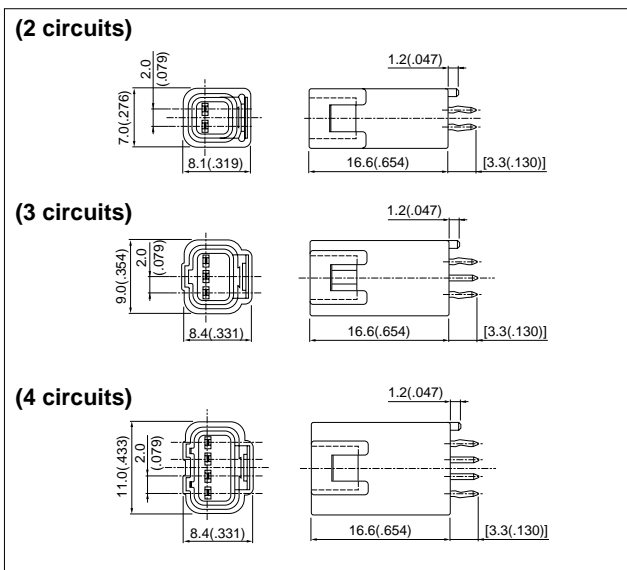
Note: Housing comes with seal rubber plate.

Circuits	Model No.	Q'ty / bag
2	02R-JWPF-VSLE-S	1,000
3	03R-JWPF-VSLE-S	1,000
4	04R-JWPF-VSLE-S	1,000

Material

PBT, UL94V-0, natural (white)

Shrouded header



Circuits	Model No.	Q'ty / box
2	B02B-JWPF-SK-R	825
3	B03B-JWPF-SK-R	650
4	B04B-JWPF-SK-R	525

Material and Finish

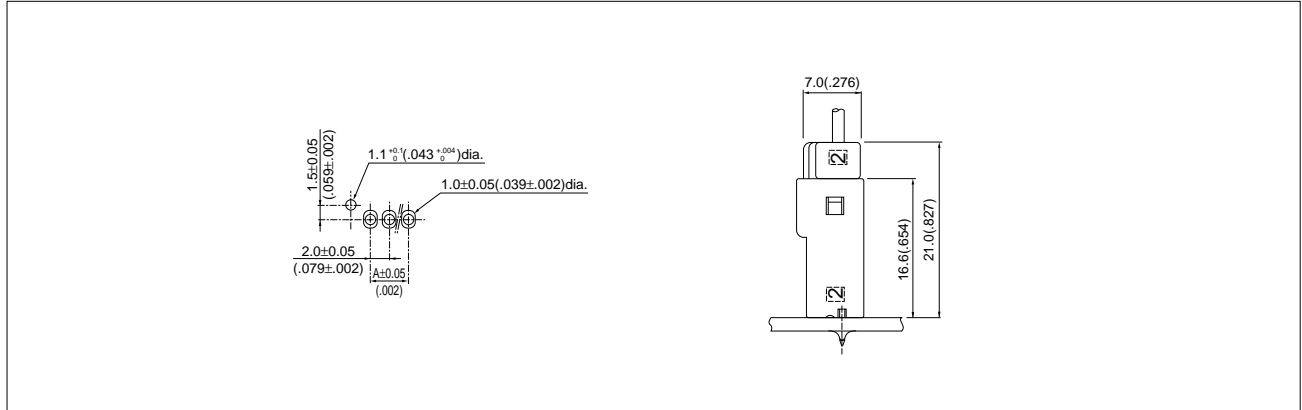
Press pin: Copper alloy, tin-plated

Seal ring: Si

Seal ring holder: PBT, UL94V-0, yellow

Wafer: Glass-filled PBT, UL94V-0, natural (white)

PC board layout (viewed from component side) and Assembly layout



Note:

1. Tolerances are non-cumulative: $\pm 0.05\text{mm}$ ($\pm .002''$) for all centers.
2. Hole dimension differ according to the kind of PC board and piercing method.
If PC boards made of hard material are used, the hole dimensions should be larger.
The dimensions above should serve as a guideline. Contact JST for details.

Applicator for the semi-automatic press AP-K2N

Contact	Crimp applicator MKS-L		Compact crimp applicator MKS-LS		Strip-crimp applicator MKS-SC
	with safety cover	without safety cover	with safety cover	without safety cover	with safety cover
SWPR-001T-P025	APLMK SWPR/T001-025	APLNC SWPR/T001-025	-	-	-